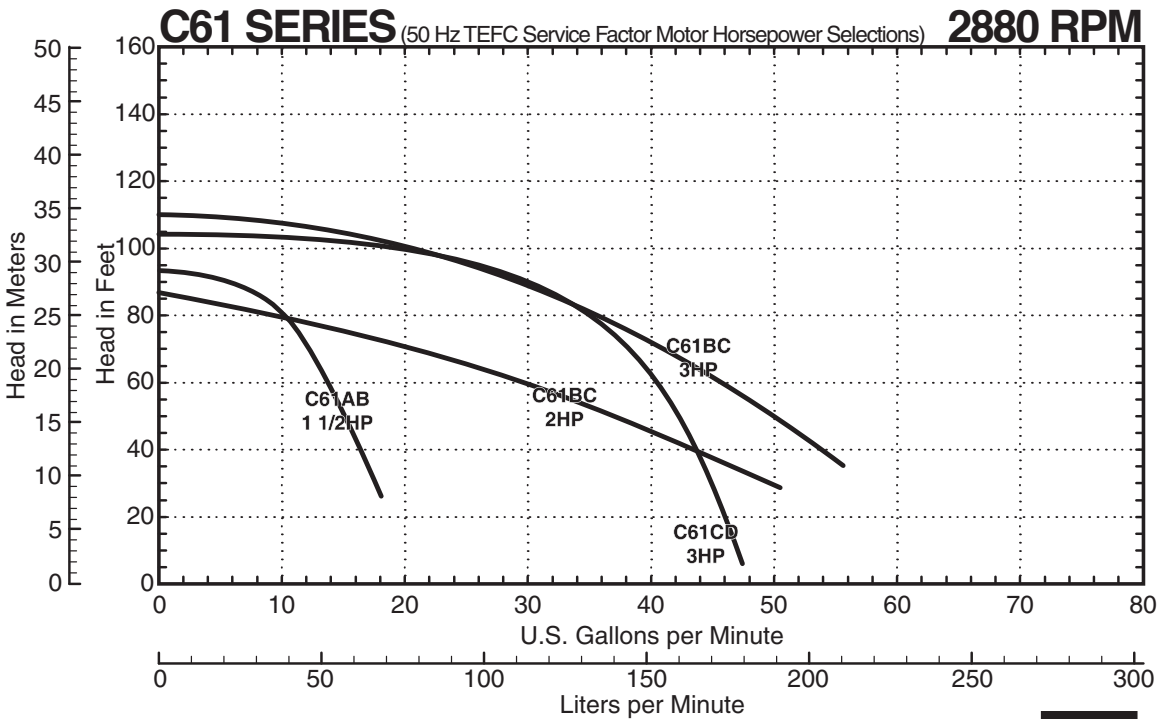
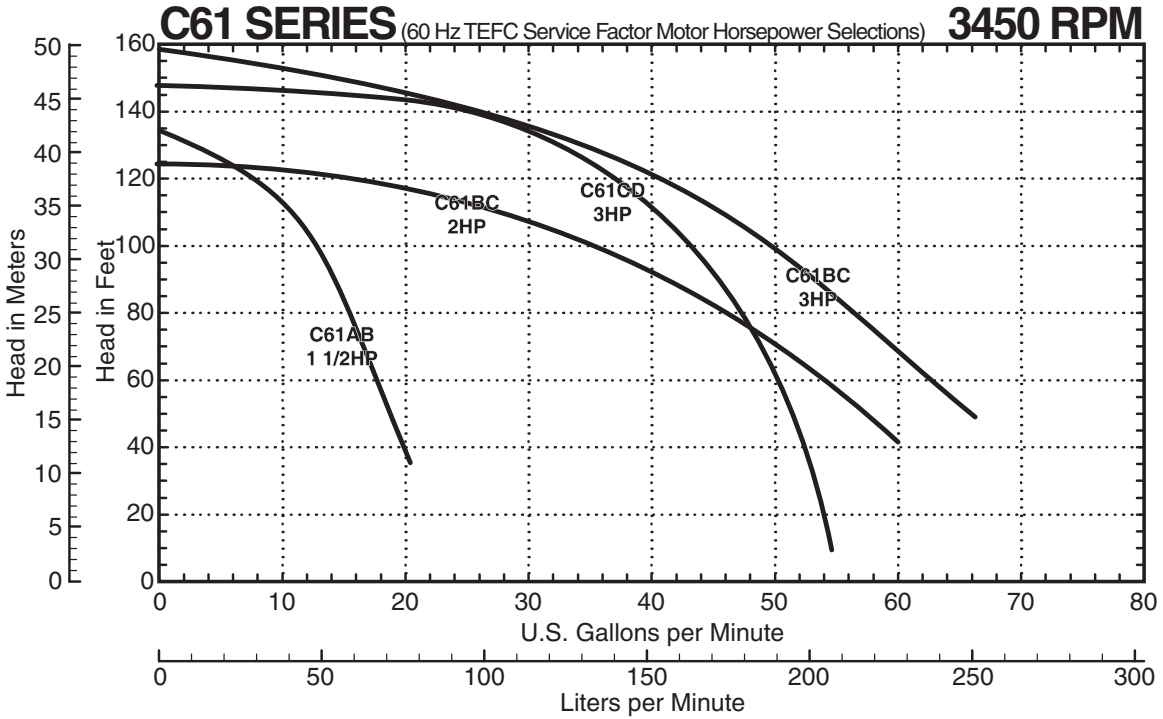


C41 • C51 • C61 SERIES

Composite Curve

C61 SERIES PUMPS



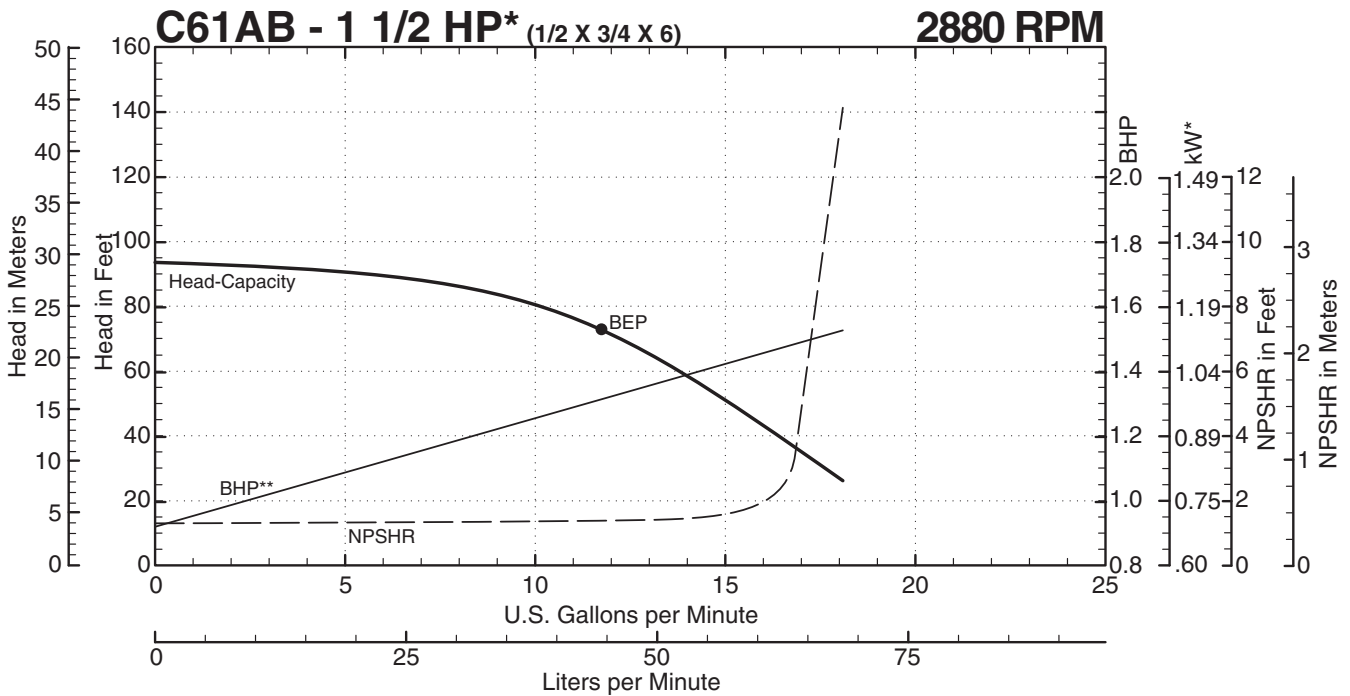
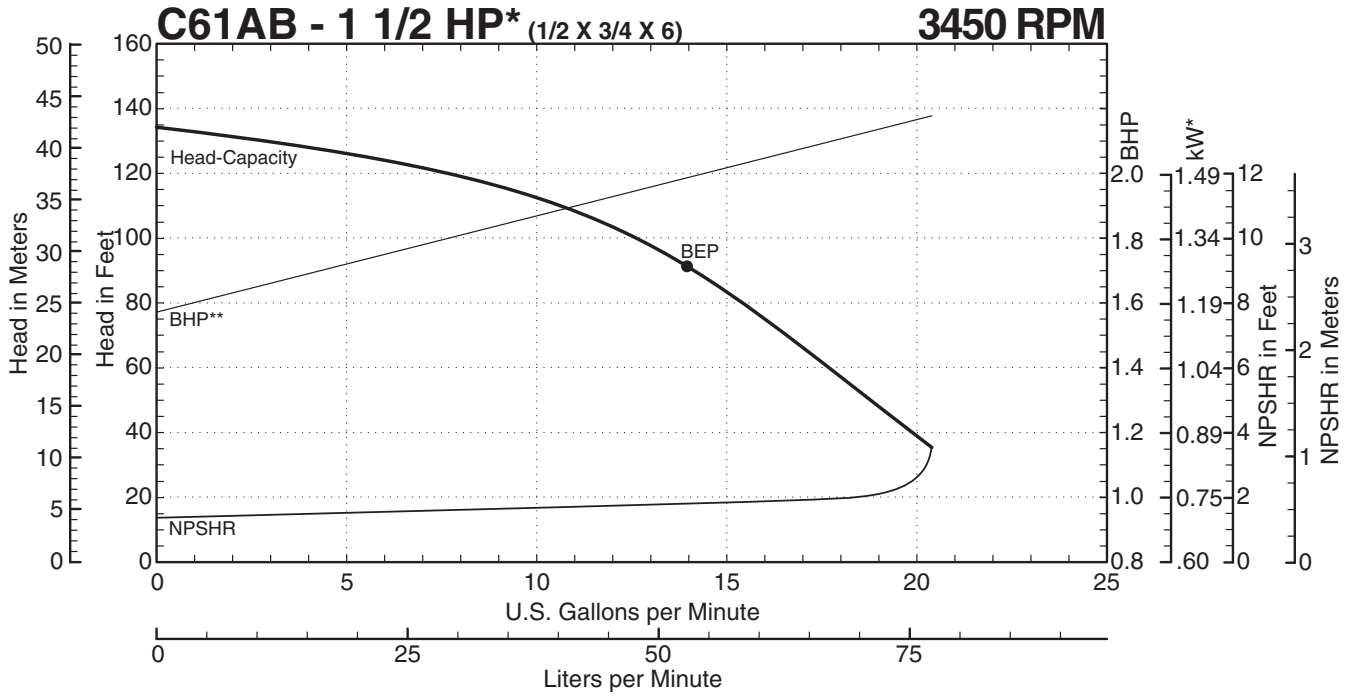
MTH PUMPS

401 West Main Street • Plano, IL 60545-1436
 Phone: 630-552-4115 • Fax: 630-552-3688
 Email: SALES@MTHPUMPS.COM
<http://WWW.MTHPUMPS.COM>

C41 • C51 • C61 SERIES

Performance Curves

C61 SERIES PUMPS



*High Service Factor Motor Horsepower Selections - See Standard Motor Guide and/or Motor Price Sheets for more information.
 **BHP data valid for 1.0 specific gravity fluids only.



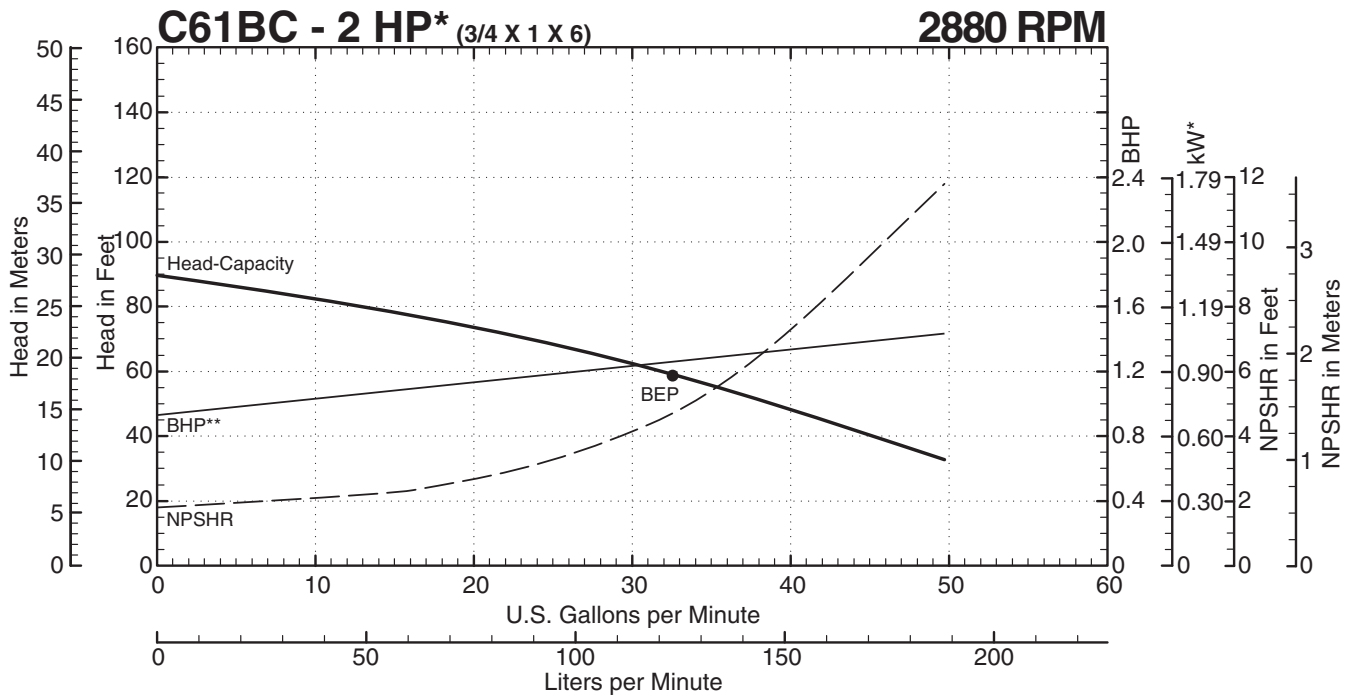
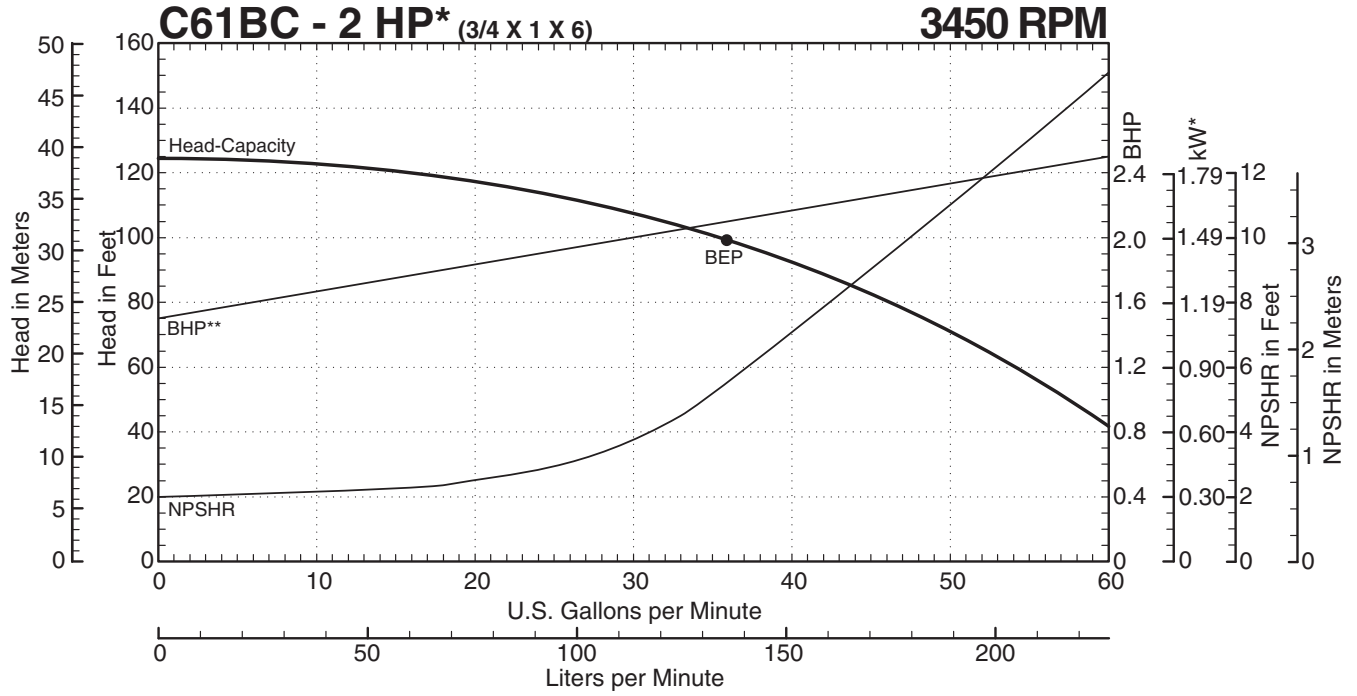
401 West Main Street • Plano, IL 60545-1436
 Phone: 630-552-4115 • Fax: 630-552-3688
 Email: SALES@MTHPUMPS.COM
<http://WWW.MTHPUMPS.COM>



C41 • C51 • C61 SERIES

Performance Curves

C61 SERIES PUMPS



DOE Compliance: IMP DIA = 5.44" PEIcl = 0.94

*High Service Factor Motor Horsepower Selections - See Standard Motor Guide and/or Motor Price Sheets for more information.

**BHP data valid for 1.0 specific gravity fluids only.

© Copyright 2023 MTH Tool Company, Inc.



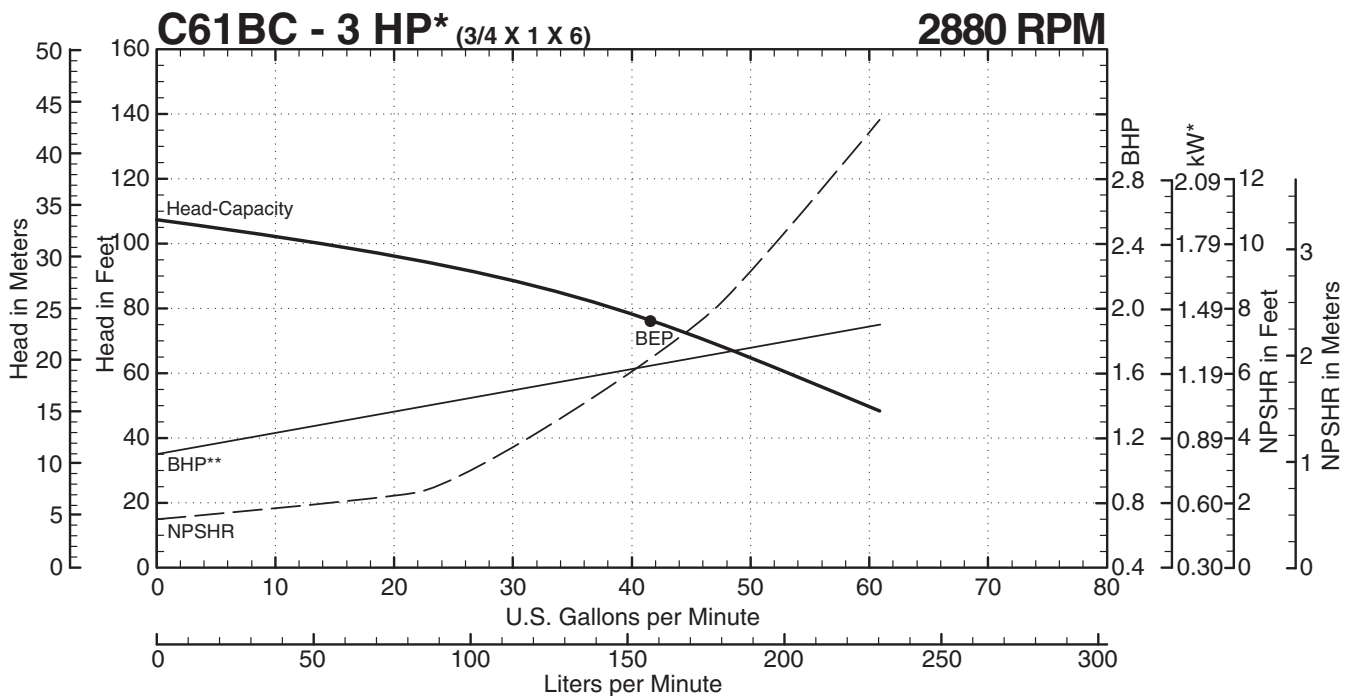
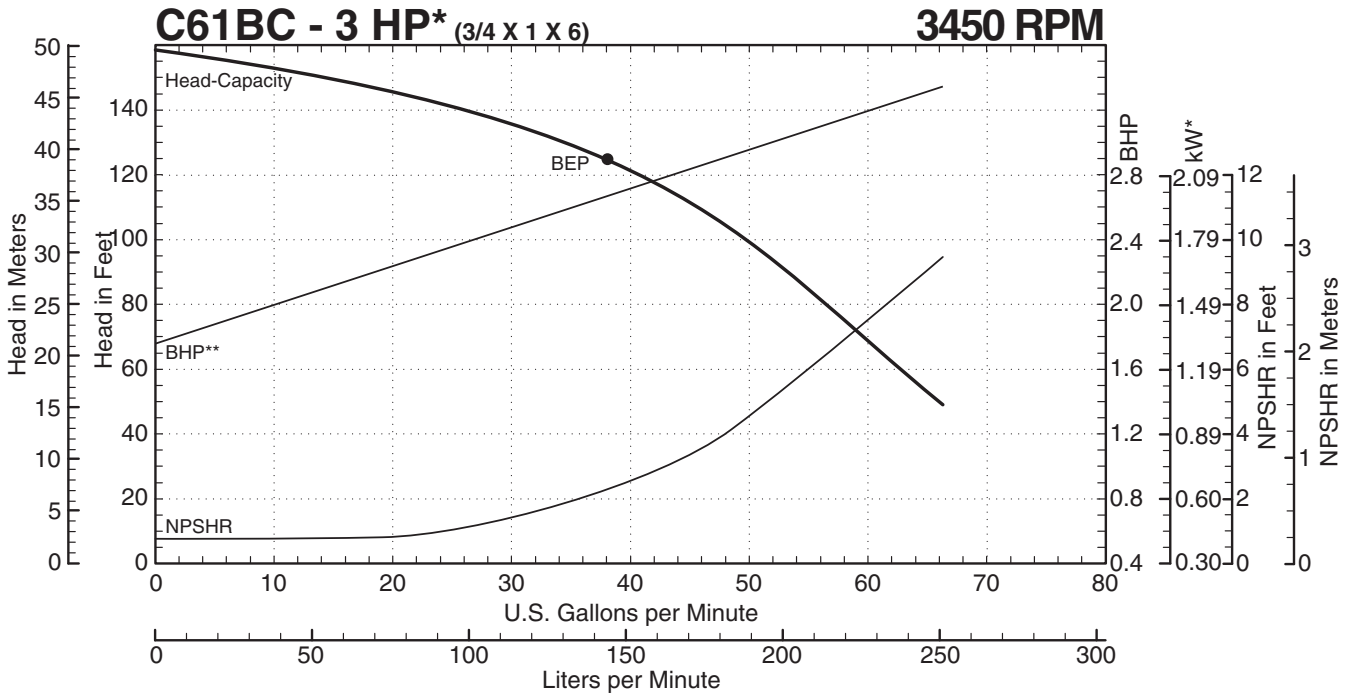
401 West Main Street • Plano, IL 60545-1436
 Phone: 630-552-4115 • Fax: 630-552-3688
 Email: SALES@MTHPUMPS.COM
<http://WWW.MTHPUMPS.COM>

WARNING:
 CANCER AND REPRODUCTIVE HARM
WWW.P65WARNINGS.CA.GOV

C41 • C51 • C61 SERIES

Performance Curves

C61 SERIES PUMPS



DOE Compliance: IMP DIA = 6.00" PEIcl = 0.87

*High Service Factor Motor Horsepower Selections - See Standard Motor Guide and/or Motor Price Sheets for more information.

**BHP data valid for 1.0 specific gravity fluids only.

© Copyright 2023 MTH Tool Company, Inc.



MTH PUMPS

401 West Main Street • Plano, IL 60545-1436
Phone: 630-552-4115 • Fax: 630-552-3688

Email: SALES@MTHPUMPS.COM
http://WWW.MTHPUMPS.COM

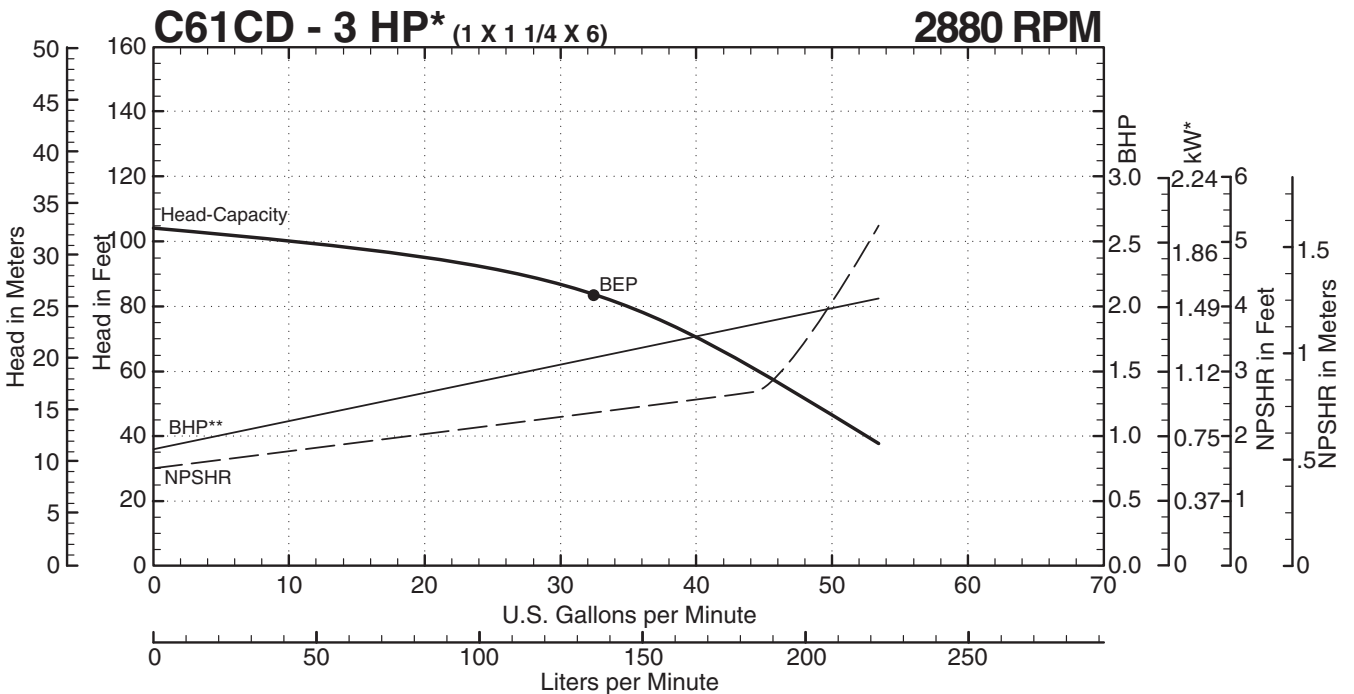
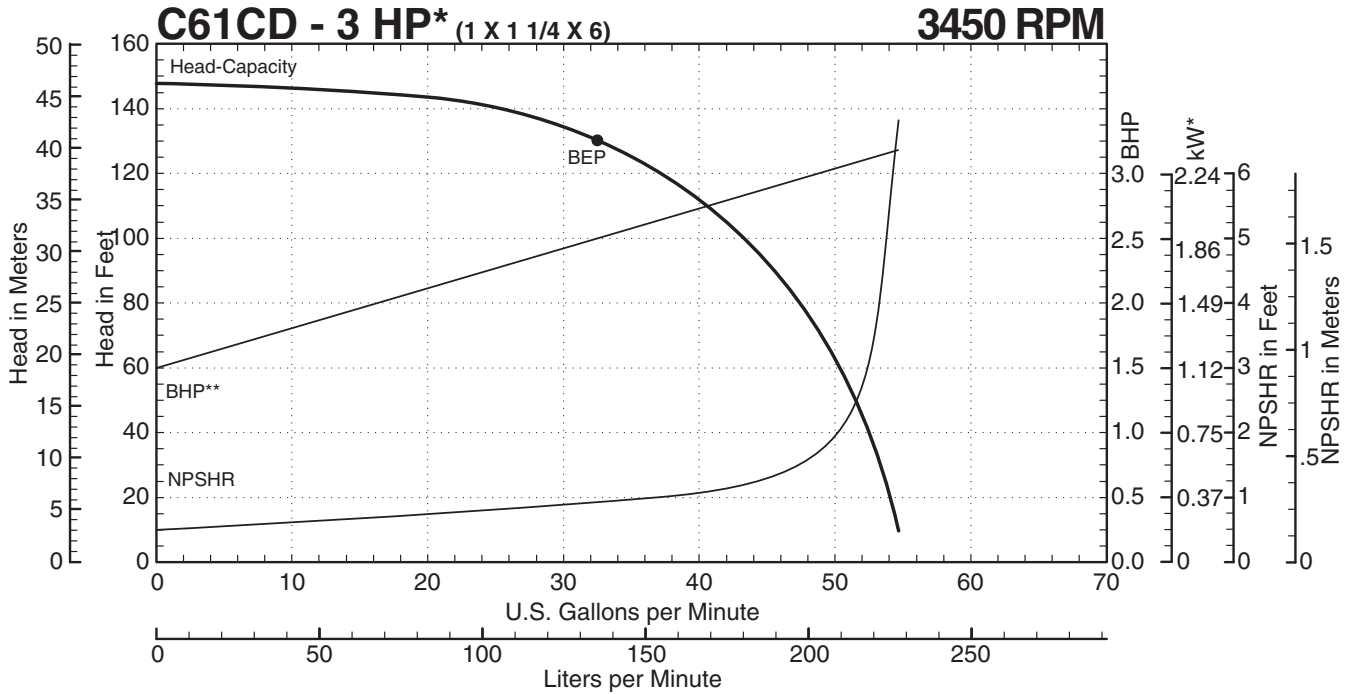


WARNING:
CANCER AND REPRODUCTIVE HARM
WWW.P65WARNINGS.CA.GOV

C41 • C51 • C61 SERIES

Performance Curves

C61 SERIES PUMPS



DOE Compliance: IMP DIA = 6.00" PEIcl = 0.96

*High Service Factor Motor Horsepower Selections - See Standard Motor Guide and/or Motor Price Sheets for more information.

**BHP data valid for 1.0 specific gravity fluids only.

© Copyright 2023 MTH Tool Company, Inc.



MTH PUMPS

401 West Main Street • Plano, IL 60545-1436

Phone: 630-552-4115 • Fax: 630-552-3688

Email: SALES@MTHPUMPS.COM

http://WWW.MTHPUMPS.COM



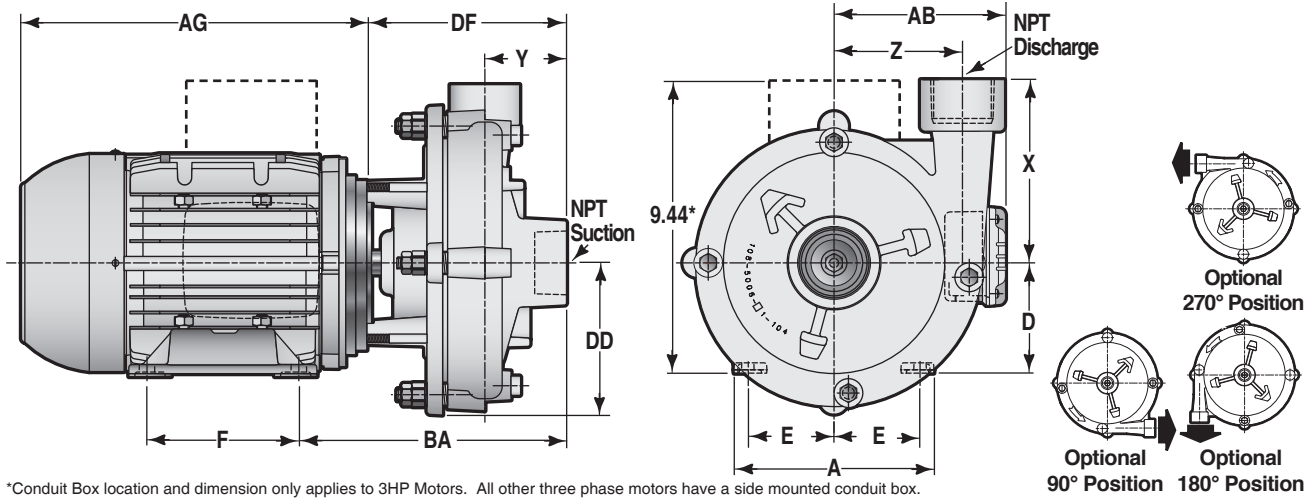
WARNING:

CANCER AND REPRODUCTIVE HARM

WWW.P65WARNINGS.CA.GOV

C41 • C51 • C61 SERIES

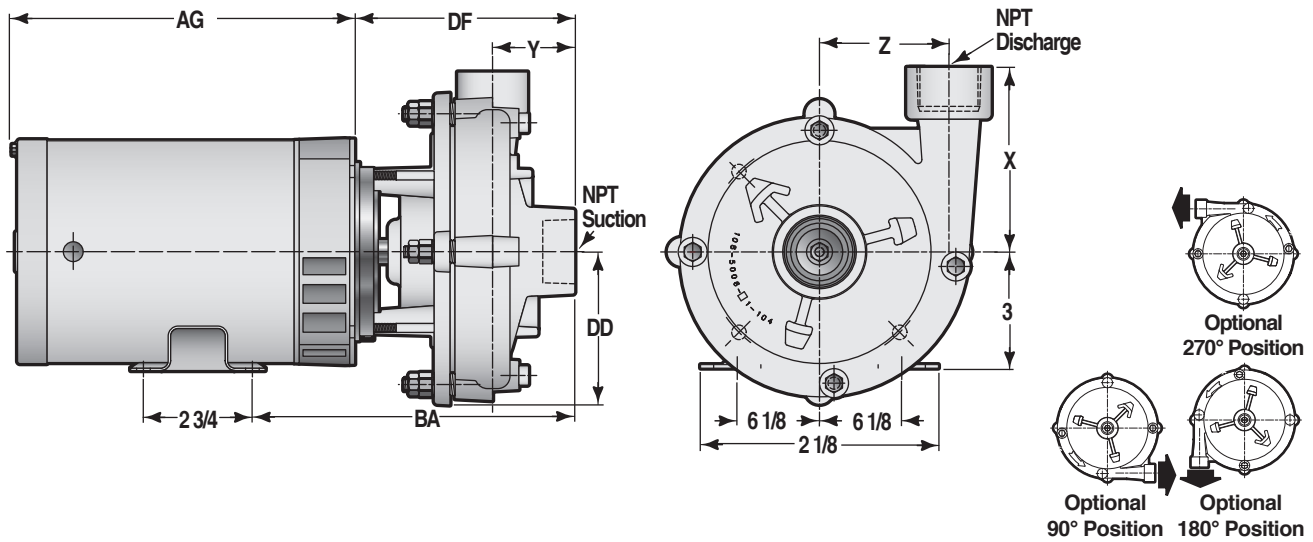
C61 Dimensions



*Conduit Box location and dimension only applies to 3HP Motors. All other three phase motors have a side mounted conduit box.

Pump Size								3 Phase TEFC Motors								
Model	Disch.	Suction	Imp. Ø	DD	DF	X	Y	Z	Frame	A	AB	D	E	F	BA	AG
C61AB	1/2	3/4	6	3 15/16	4 5/8	3 7/16	1 1/2	3 5/16	80 (1 1/2HP - 2HP)	6 1/8	5 1/8	3 1/8	2 1/2	3 15/16	6 13/16	9 7/16
C61BC	3/4	1	6	3 15/16	4 7/16	3 15/16	1 5/16	3 1/4		6 1/8	5 1/8	3 1/8	2 1/2	3 15/16	6 13/16	9 7/16
C61CD	1	1 1/4	6	4 1/16	5 3/16	4 5/8	2 1/8	3 3/16		90 Frame (3HP)	6 11/16	5 7/8	3 9/16	2 3/4	4 15/16	7 3/4

All units in inches



Pump Size									Single Phase ODP Motors			
Model	Disch.	Suction	Imp. Ø	DD	DF	X	Y	Z	56 Frame (1 1/2 - 2 HP)	BA	AG	
C61AB	1/2	3/4	6	3 15/16	4 5/8	3 7/16	1 1/2	3 5/16	7 3/16	14 1/8		
C61BC	3/4	1	6	3 15/16	4 7/16	3 15/16	1 5/16	3 1/4	7 3/4	13 5/8		

NOTES: All dimensions in inches. May vary ± 1/4 inches.
Not for construction purposes unless certified.



MTH PUMPS

401 West Main Street • Plano, IL 60545-1436
Phone: 630-552-4115 • Fax: 630-552-3688
Email: SALES@MTHPUMPS.COM
http://WWW.MTHPUMPS.COM



WARNING:
CANCER AND REPRODUCTIVE HARM
WWW.P65WARNINGS.CA.GOV