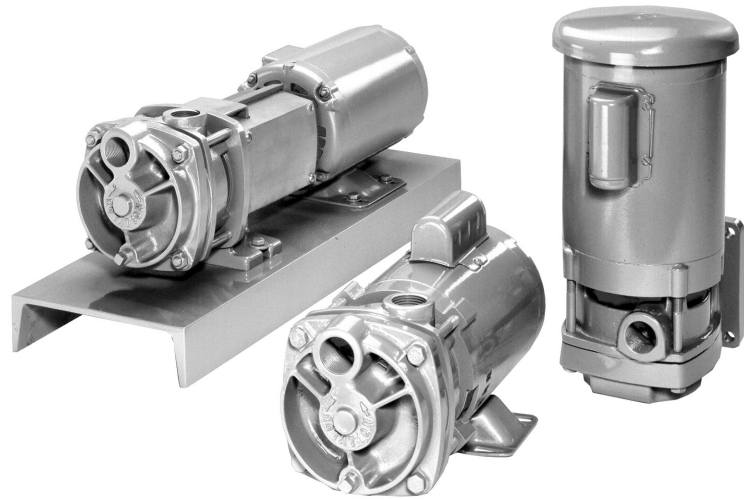


MTH PUMPS

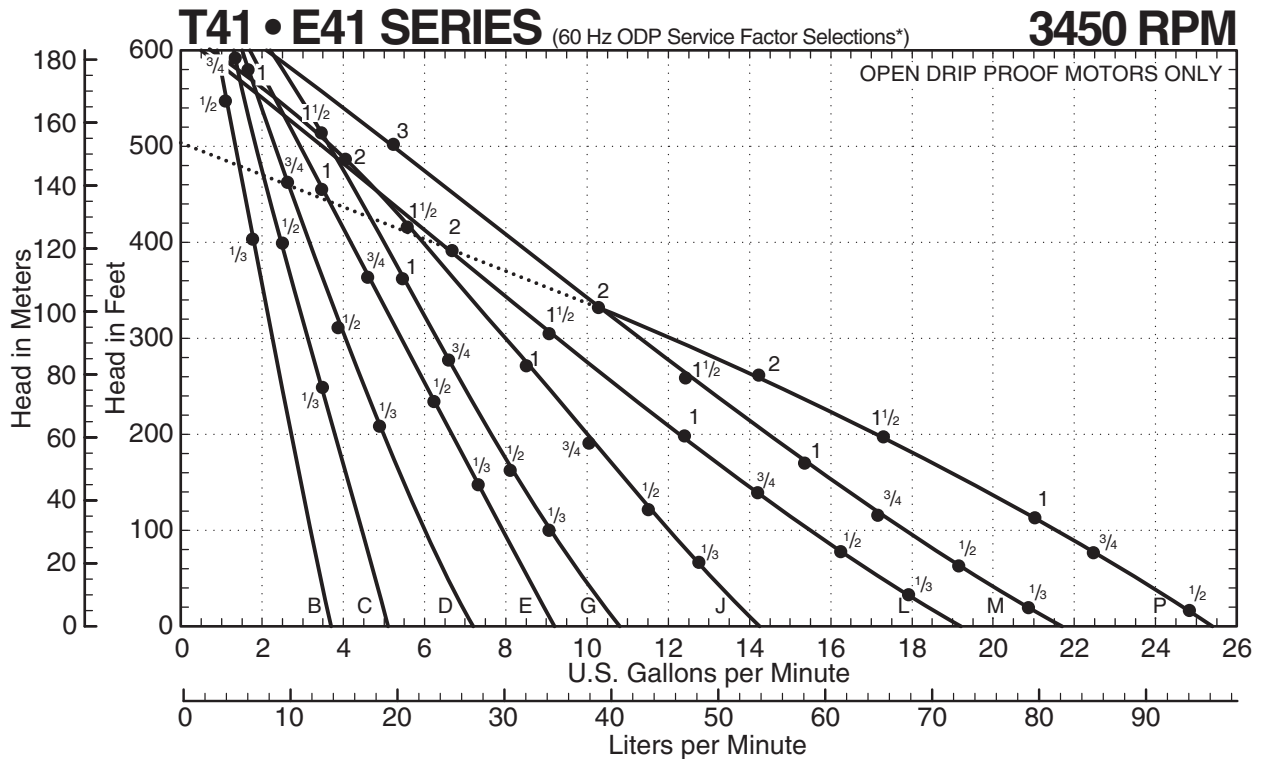
T41 • E41 Series

- Capacities to 24 GPM
- Heads to 600 Feet
- Low NPSH Requirements
- Horizontal Close Coupled
- Vertical Flange Mounted
- Flex Coupled



T41 • E41 SERIES

Composite Curves



* Horsepower data is valid for 1.0 specific gravity fluids only



401 West Main Street • Plano, IL 60545-1436
 Phone: 630-552-4115 • Fax: 630-552-3688
 Email: SALES@MTHPUMPS.COM
<http://WWW.MTHPUMPS.COM>



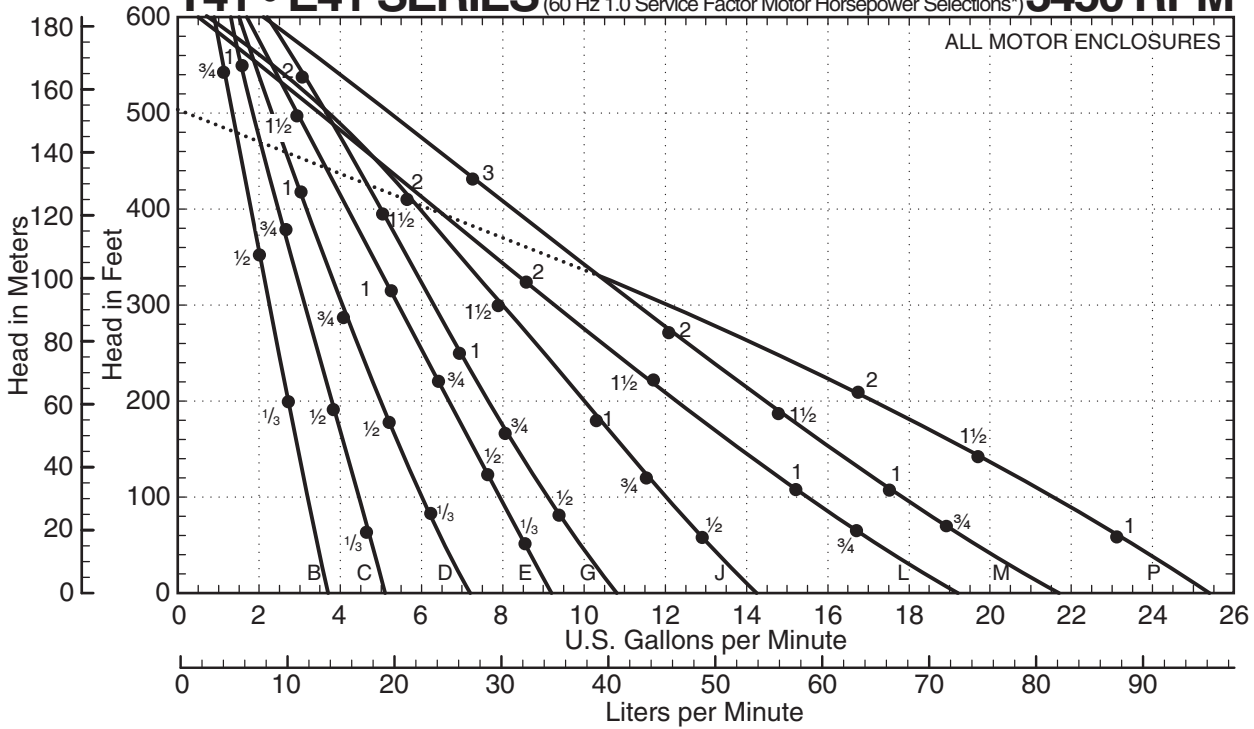
E41 • T41 SERIES PUMPS

T41 • E41 SERIES

Composite Curves

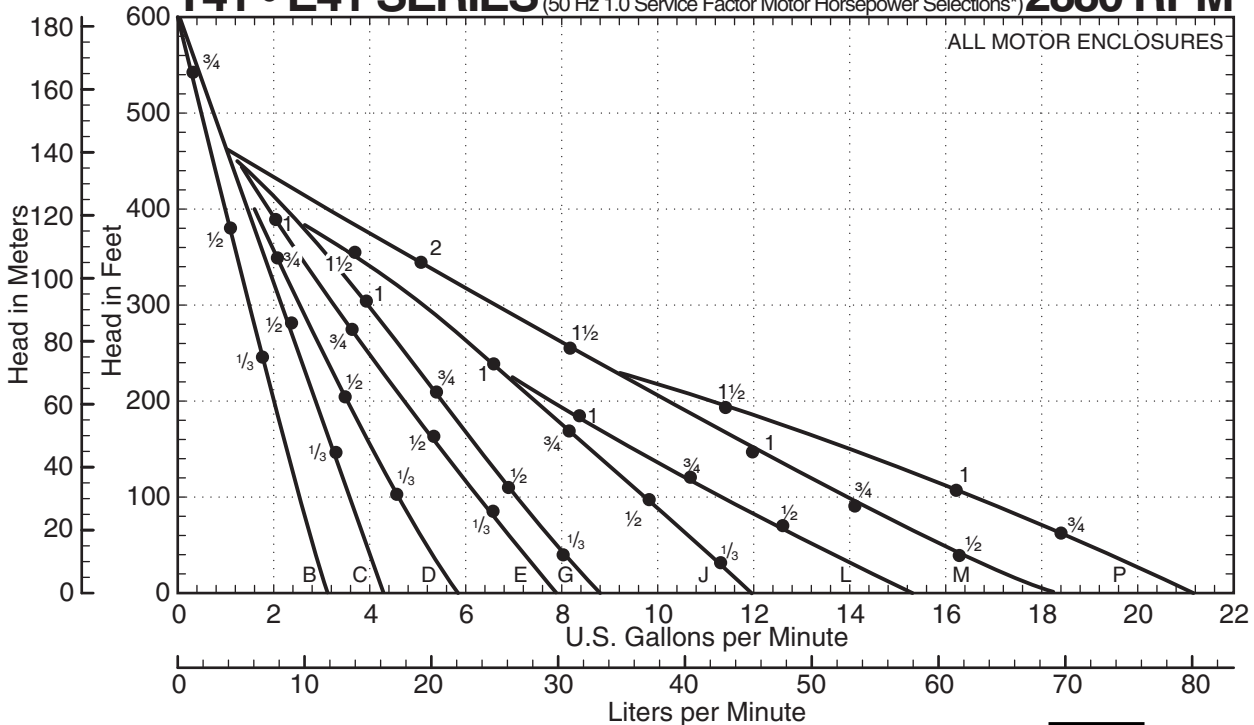
T41 • E41 SERIES (60 Hz 1.0 Service Factor Motor Horsepower Selections*) 3450 RPM

ALL MOTOR ENCLOSURES



T41 • E41 SERIES (50 Hz 1.0 Service Factor Motor Horsepower Selections*) 2880 RPM

ALL MOTOR ENCLOSURES



E41 • T41 SERIES PUMPS



MTH PUMPS

401 West Main Street • Plano, IL 60545-1436
 Phone: 630-552-4115 • Fax: 630-552-3688
 Email: SALES@MTHPUMPS.COM
 http://WWW.MTHPUMPS.COM

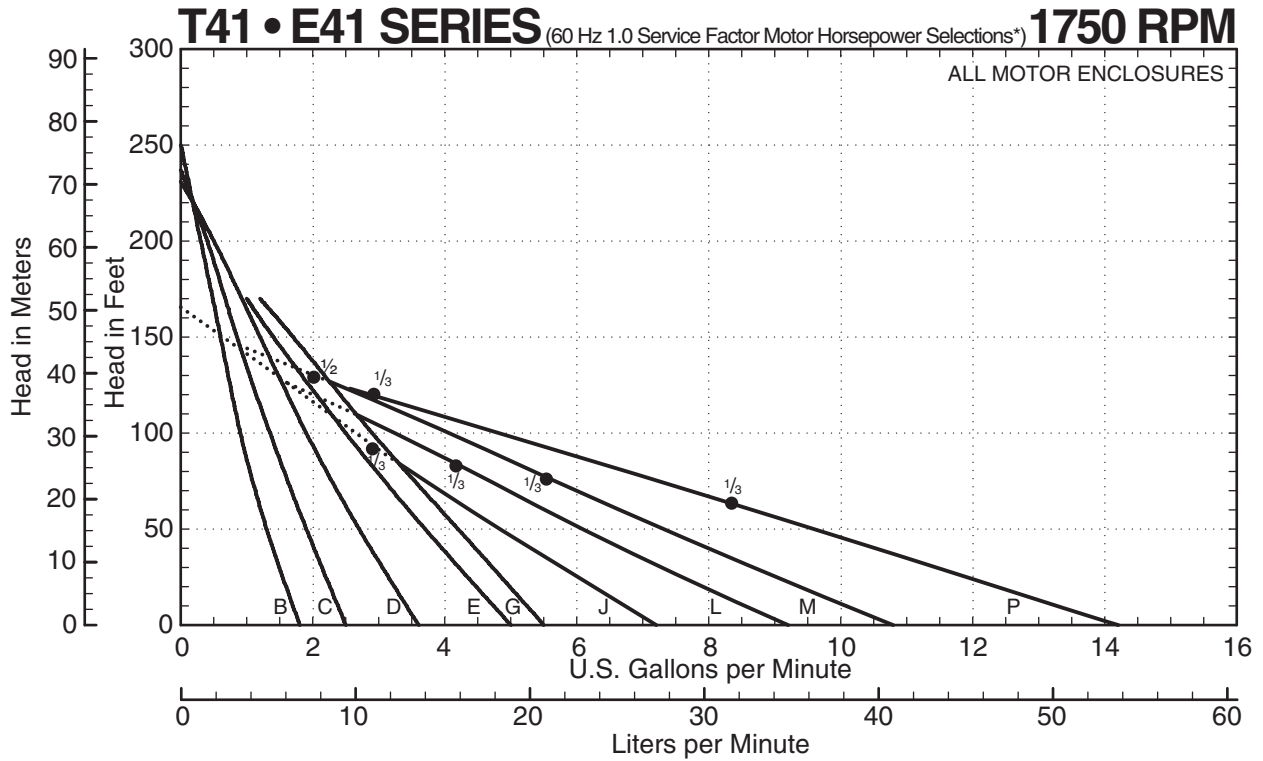
* Horsepower data is valid for 1.0 specific gravity fluids only



WARNING:
 CANCER AND REPRODUCTIVE HARM
 WWW.P65WARNINGS.CA.GOV

T41 • E41 SERIES

Composite Curves



* Horsepower data is valid for 1.0 specific gravity fluids only



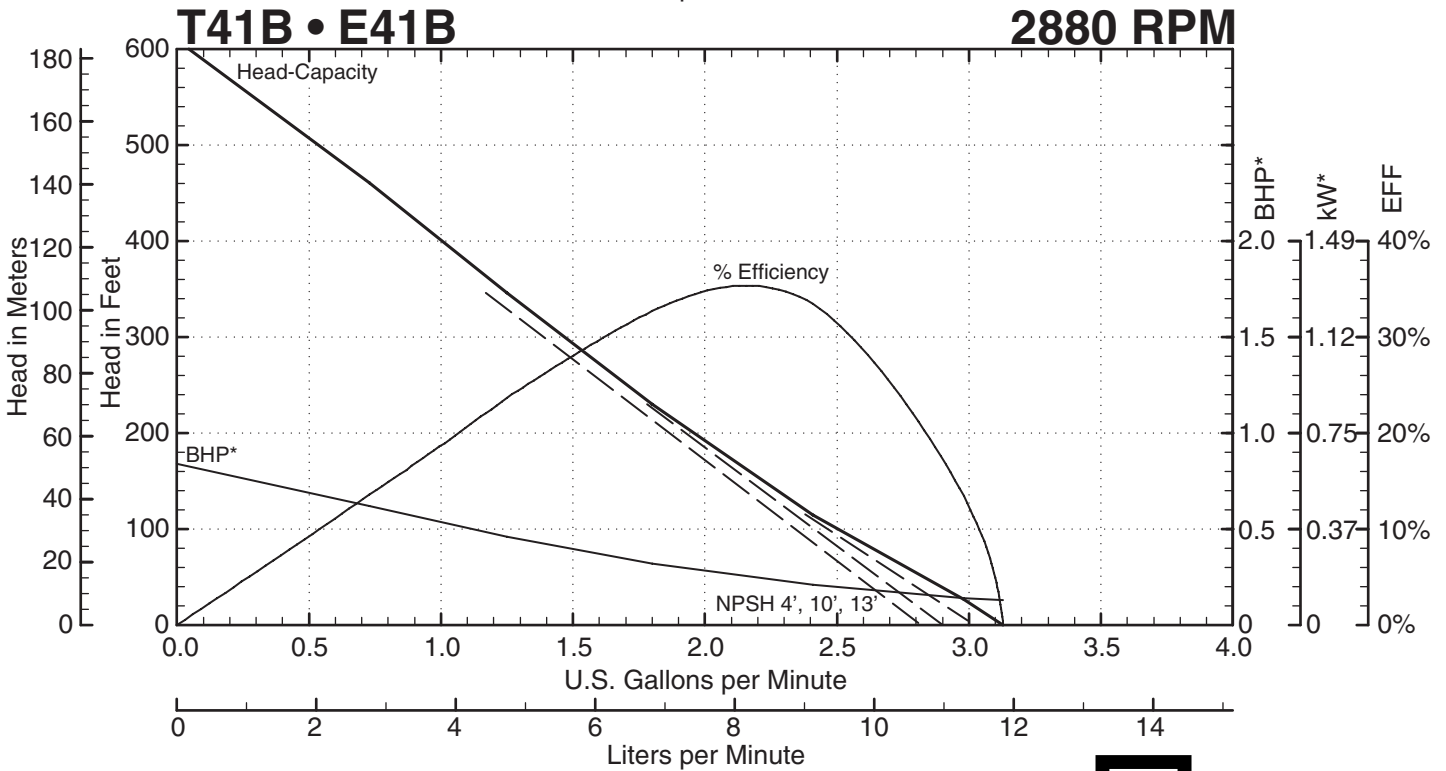
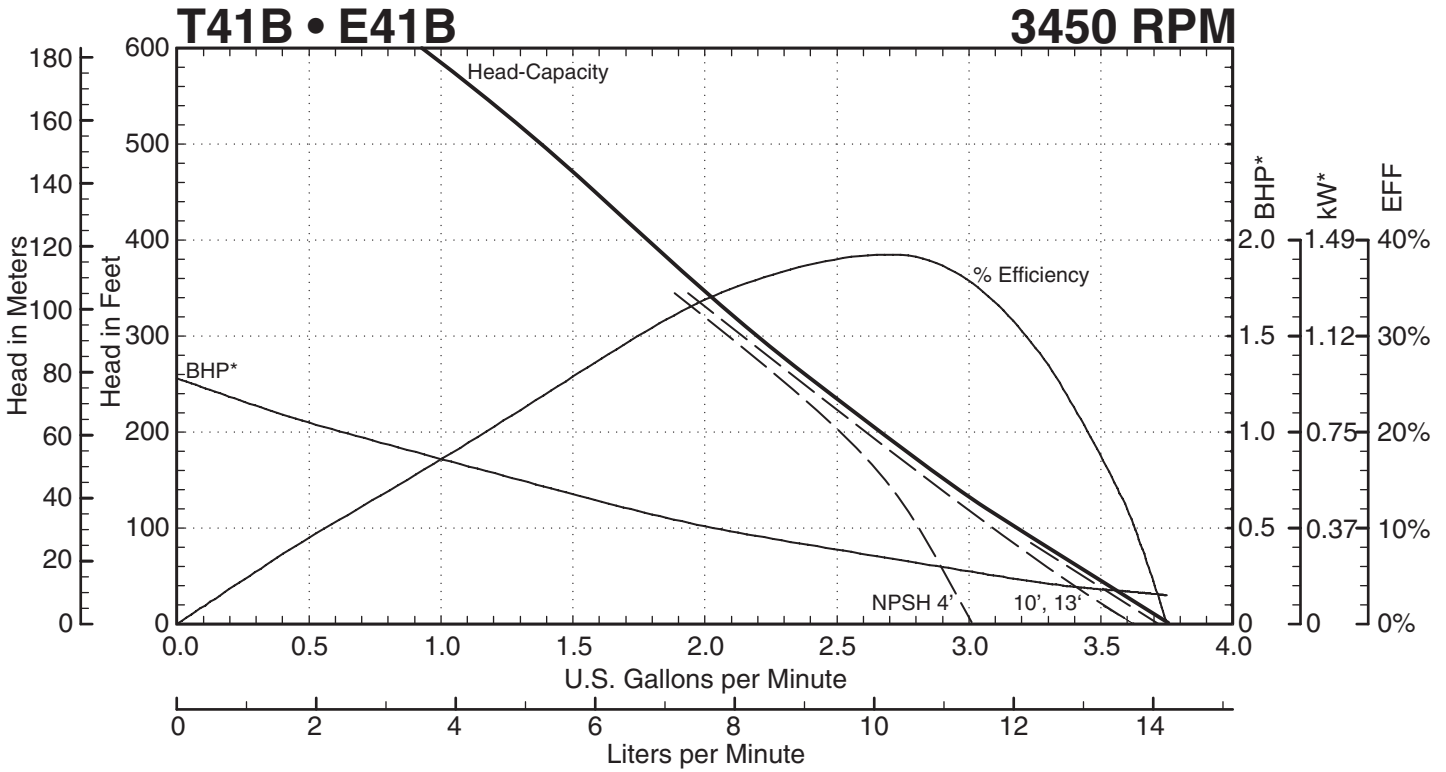
401 West Main Street • Plano, IL 60545-1436
 Phone: 630-552-4115 • Fax: 630-552-3688
 Email: SALES@MTHPUMPS.COM
<http://WWW.MTHPUMPS.COM>



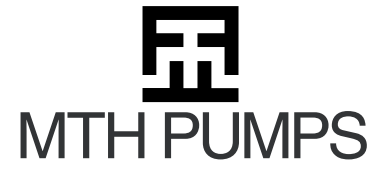
E41 • T41 SERIES PUMPS

T41 • E41 SERIES

Performance Curves



E41 • T41 SERIES PUMPS



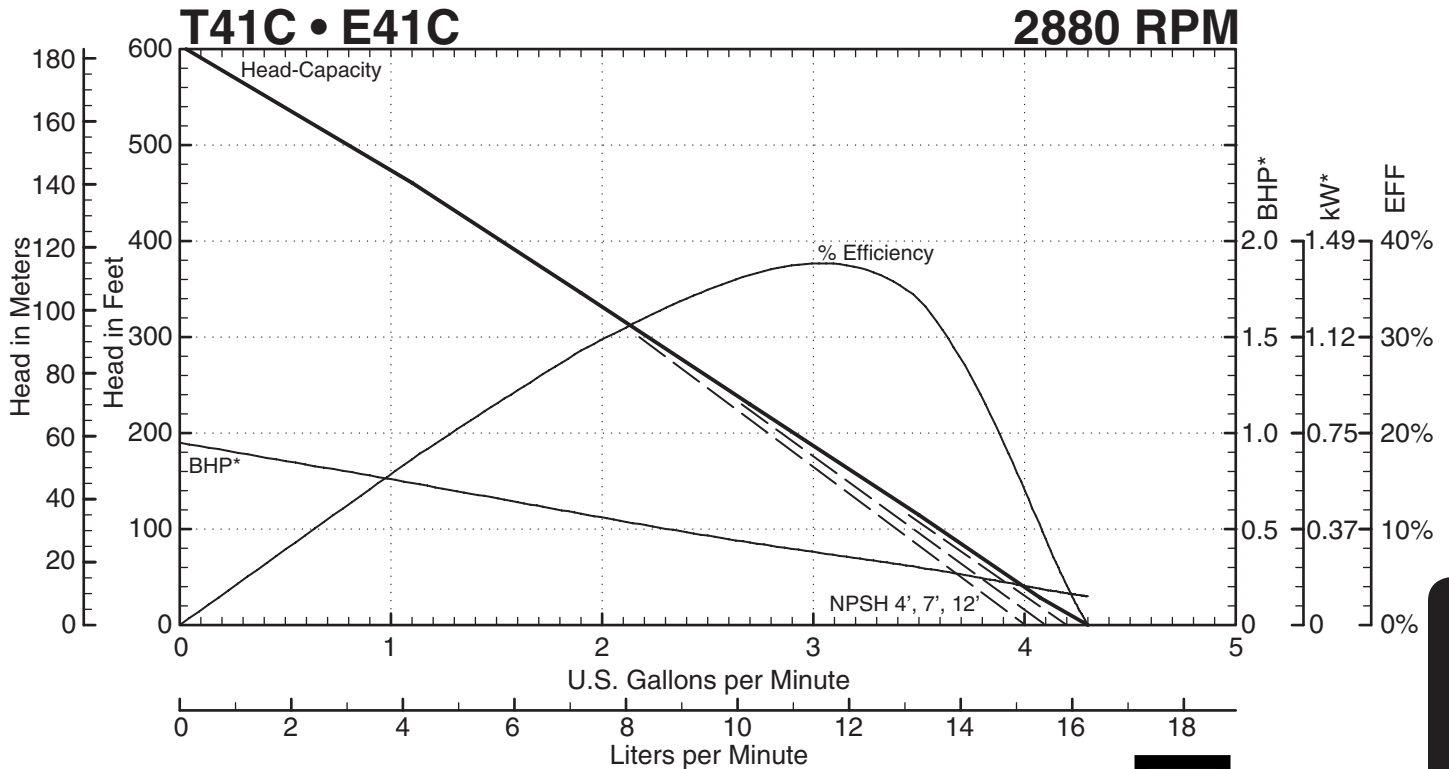
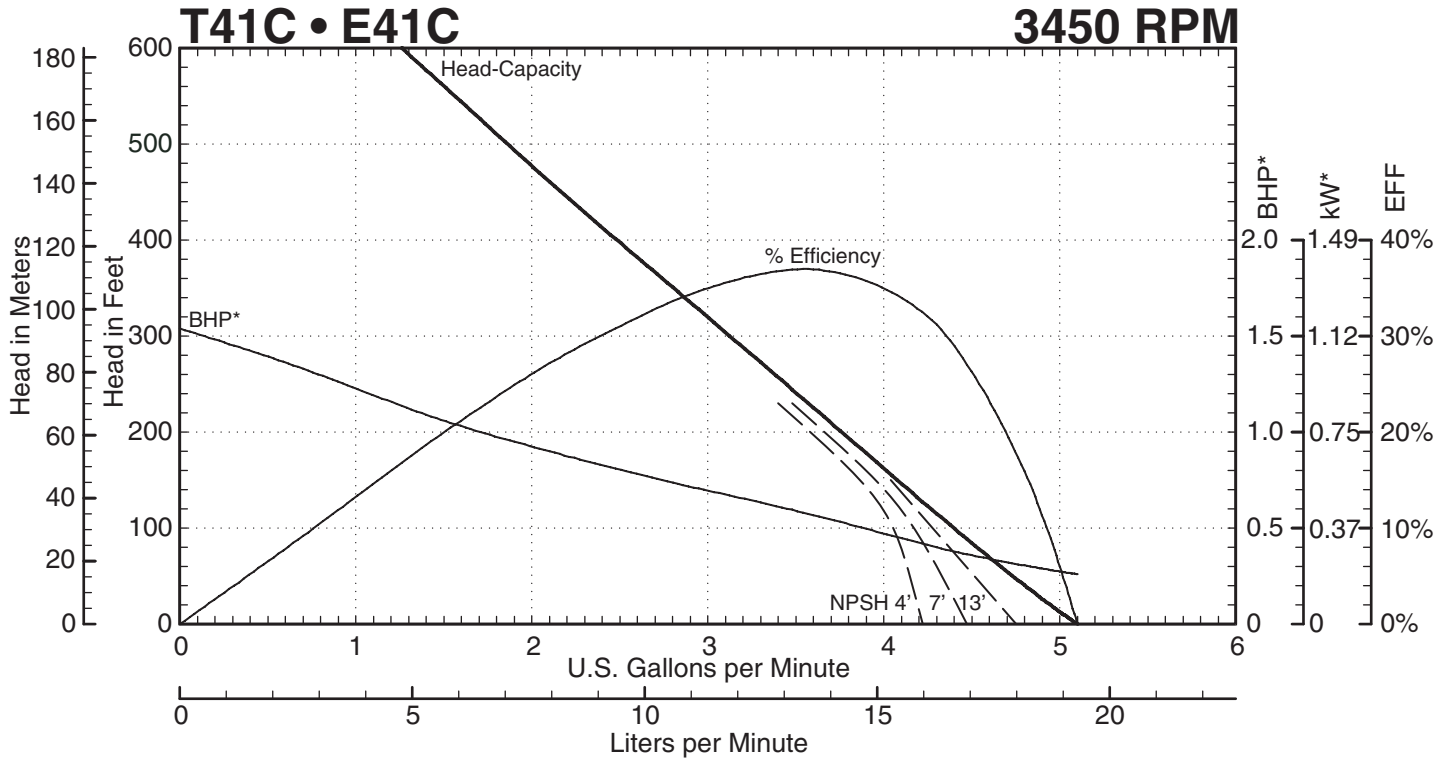
401 West Main Street • Plano, IL 60545-1436
 Phone: 630-552-4115 • Fax: 630-552-3688
 Email: SALES@MTHPUMPS.COM
 http://WWW.MTHPUMPS.COM

--- Indicates altered performance at NPSH Available
 * Horsepower data is valid for 1.0 specific gravity fluids only



T41 • E41 SERIES

Performance Curves



— — — Indicates altered performance at NPSH Available
 * Horsepower data is valid for 1.0 specific gravity fluids only



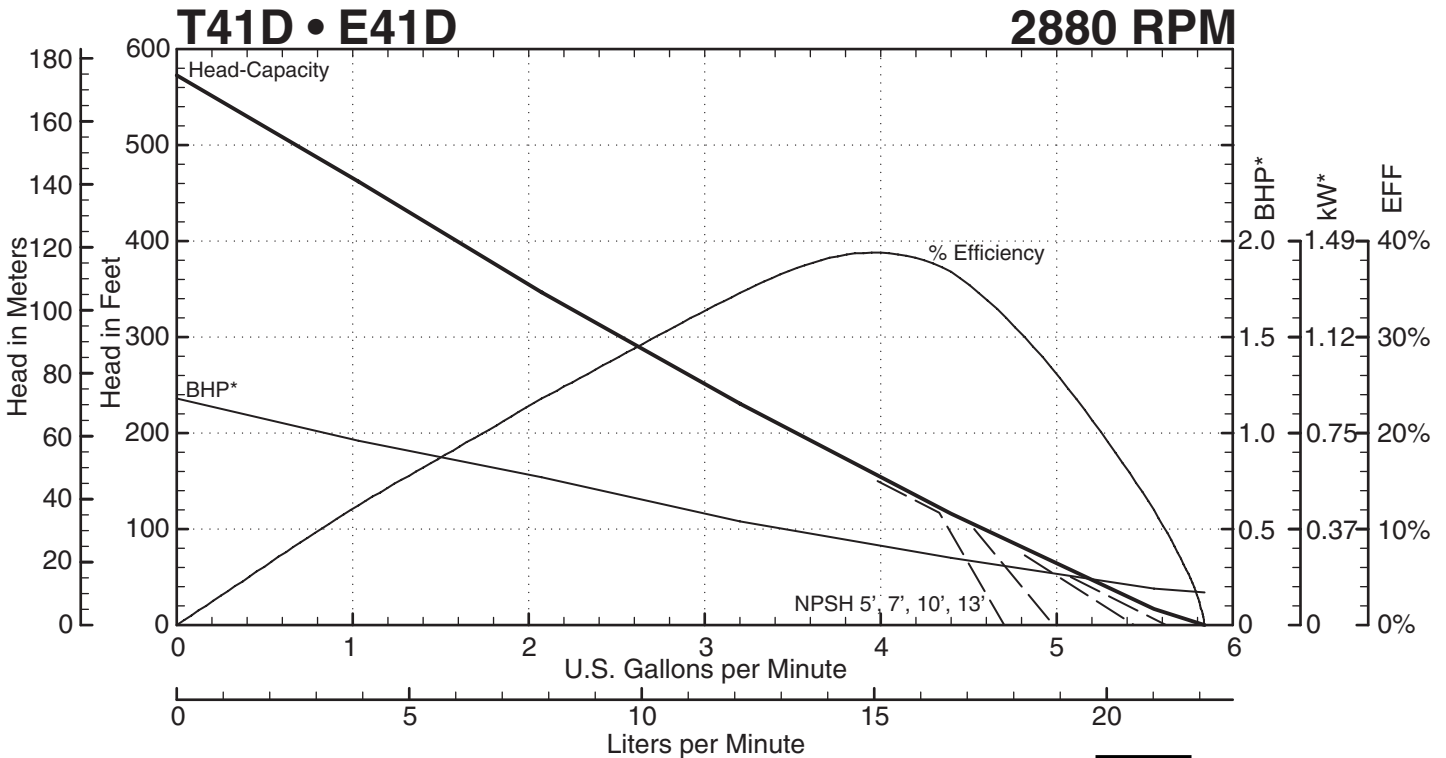
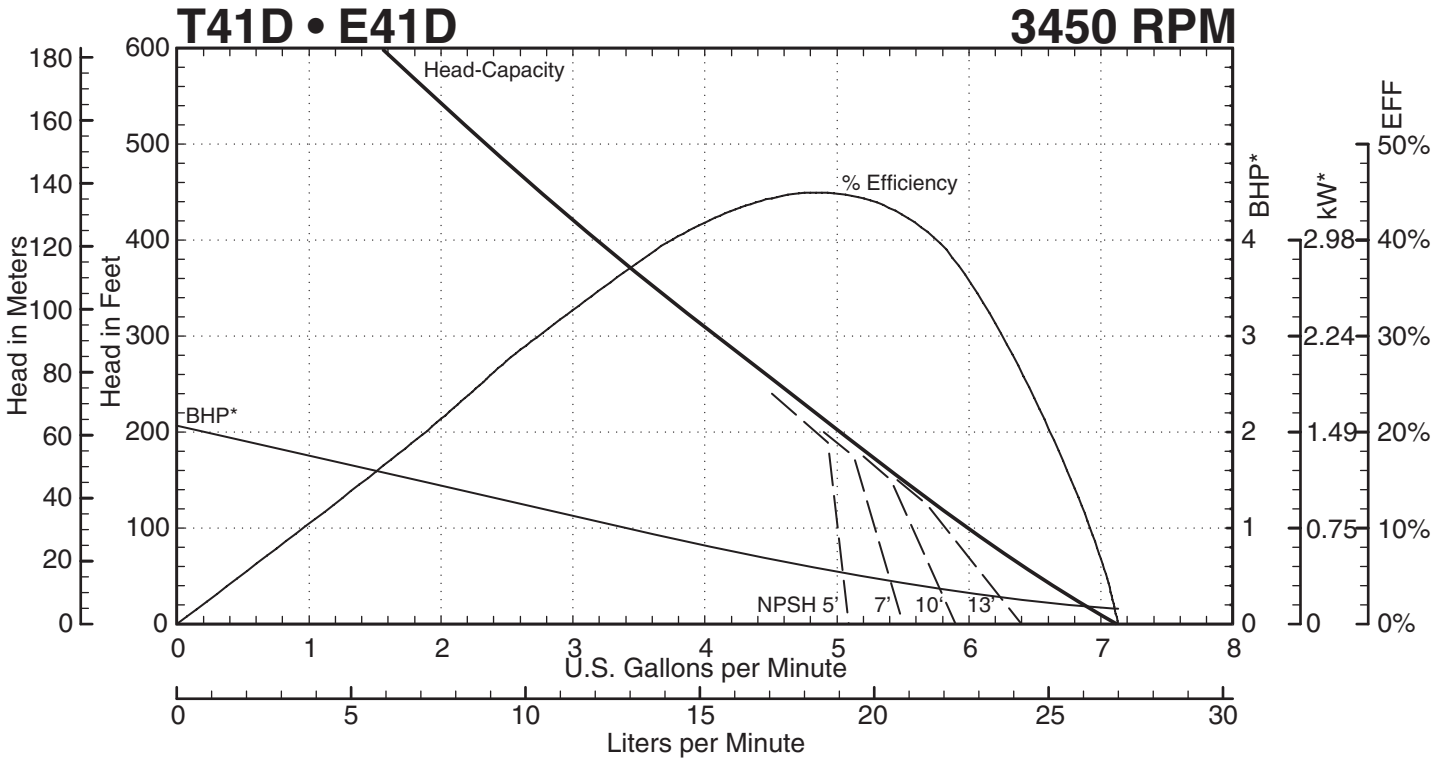
401 West Main Street • Plano, IL 60545-1436
 Phone: 630-552-4115 • Fax: 630-552-3688
 Email: SALES@MTHPUMPS.COM
<http://WWW.MTHPUMPS.COM>



E41 • T41 SERIES PUMPS

T41 • E41 SERIES

Performance Curves



E41 • T41 SERIES PUMPS



MTH PUMPS

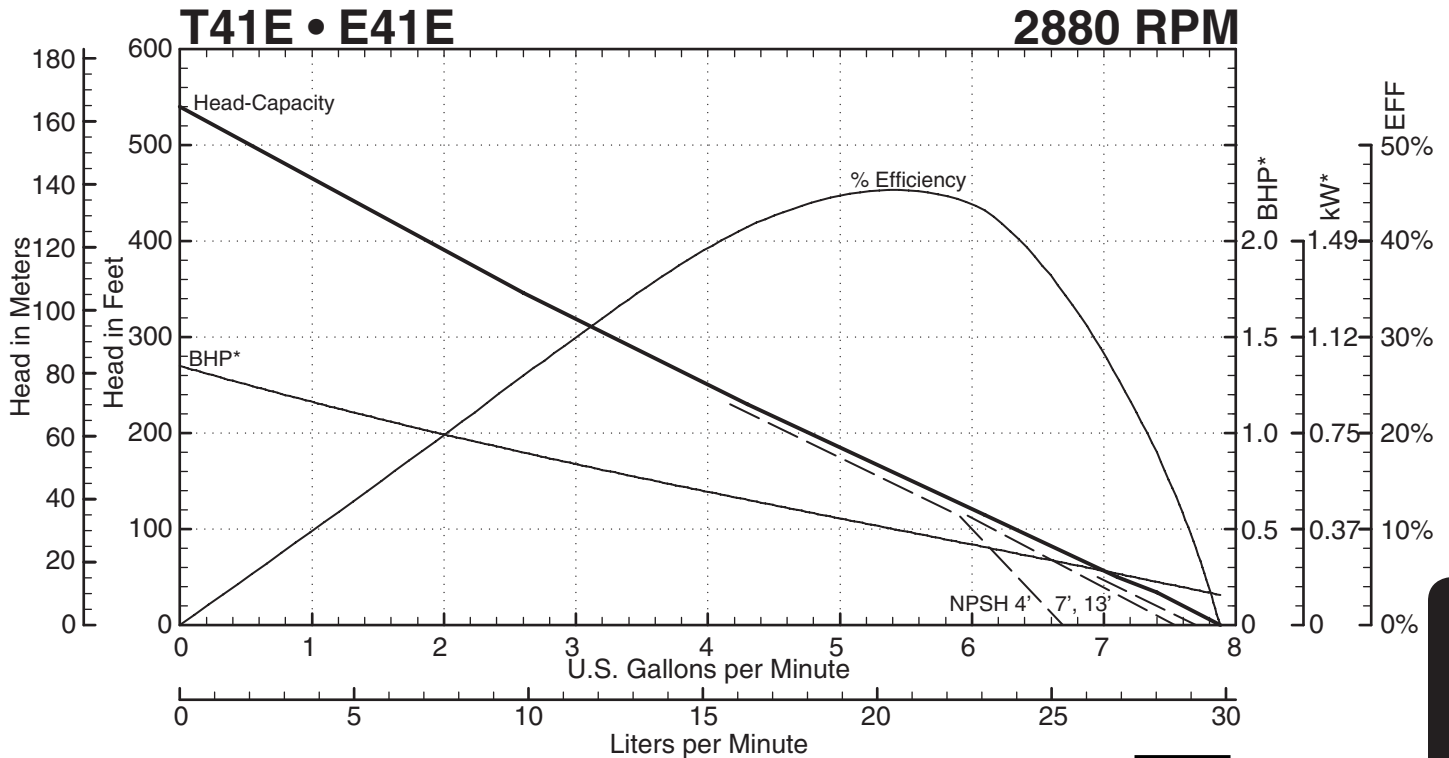
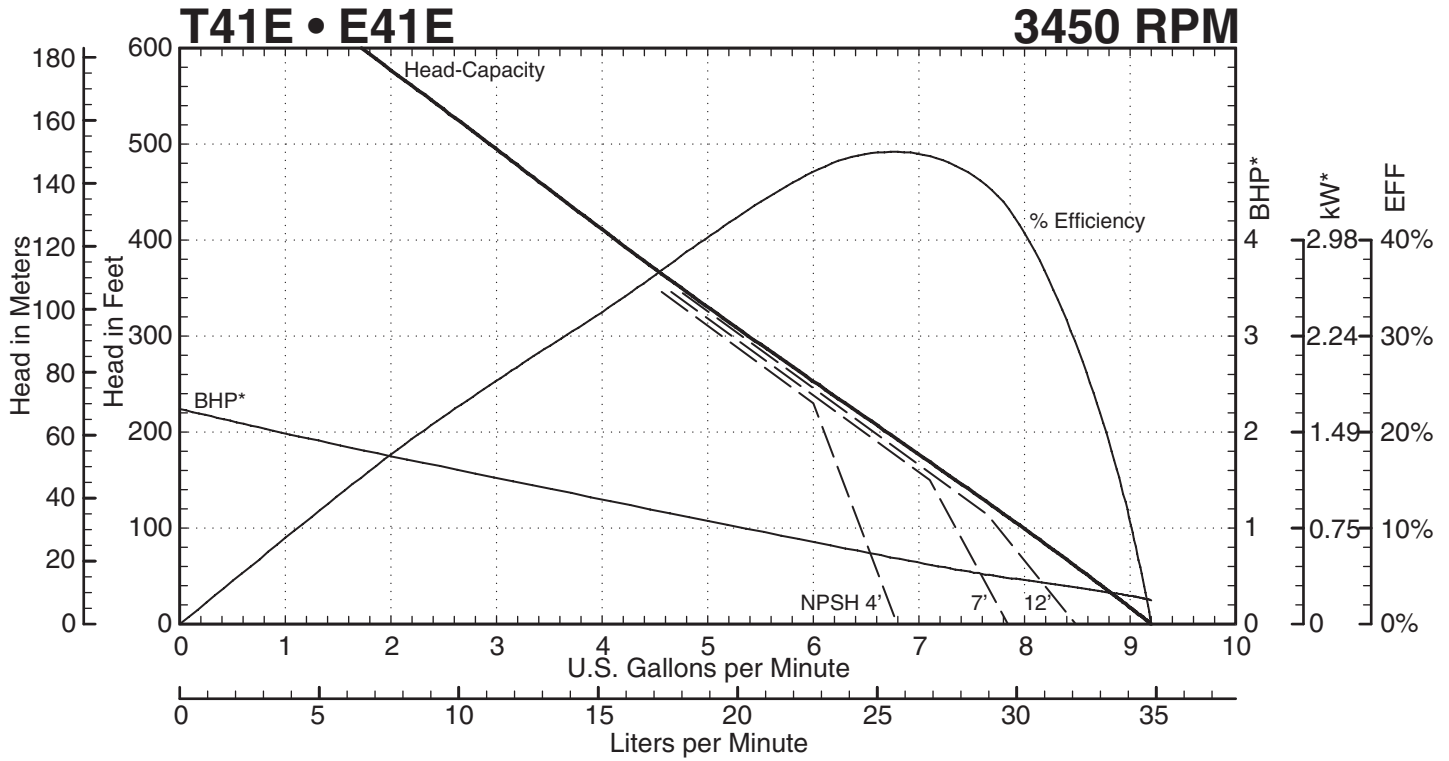
401 West Main Street • Plano, IL 60545-1436
 Phone: 630-552-4115 • Fax: 630-552-3688
 Email: SALES@MTHPUMPS.COM
 http://WWW.MTHPUMPS.COM

— — — — — Indicates altered performance at NPSH Available
 * Horsepower data is valid for 1.0 specific gravity fluids only



T41 • E41 SERIES

Performance Curves



— — — Indicates altered performance at NPSH Available
 * Horsepower data is valid for 1.0 specific gravity fluids only



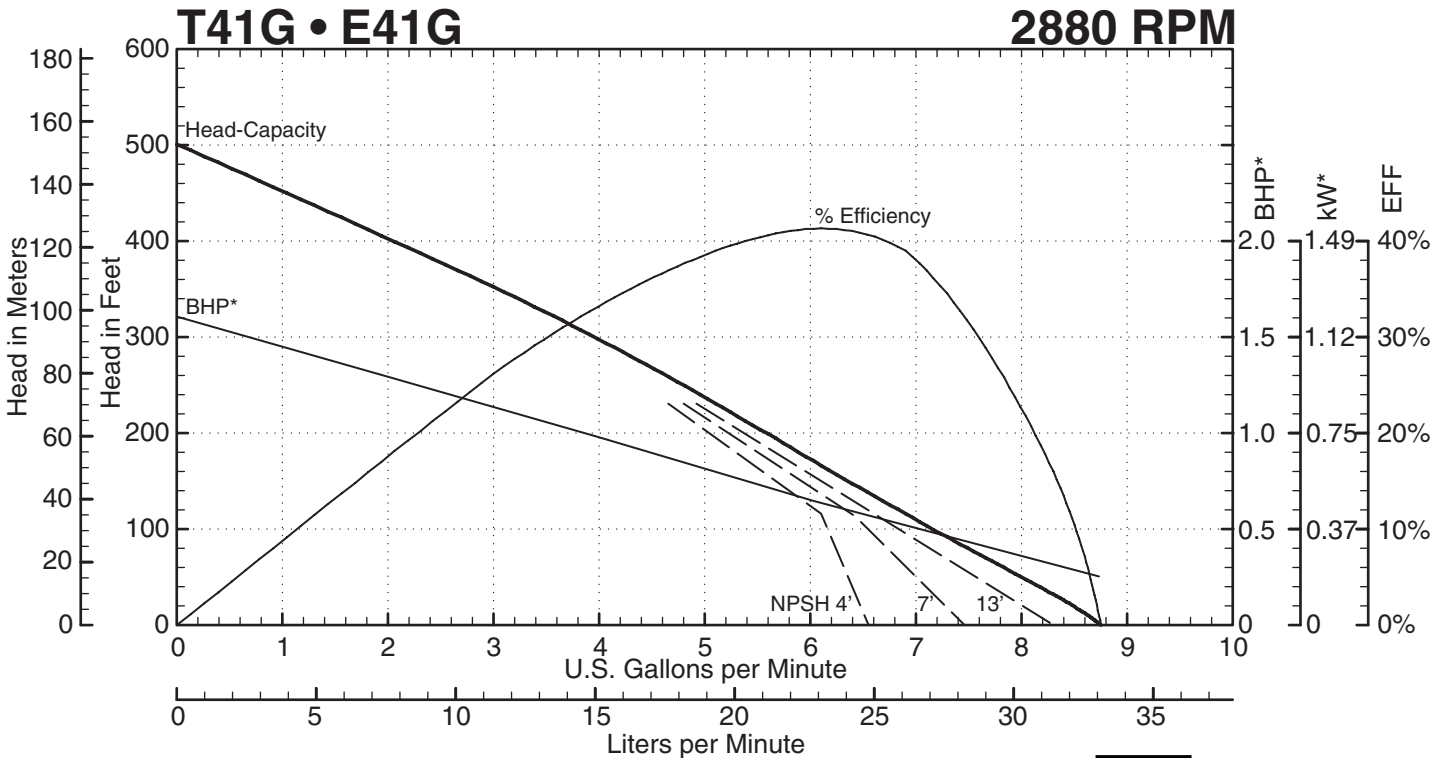
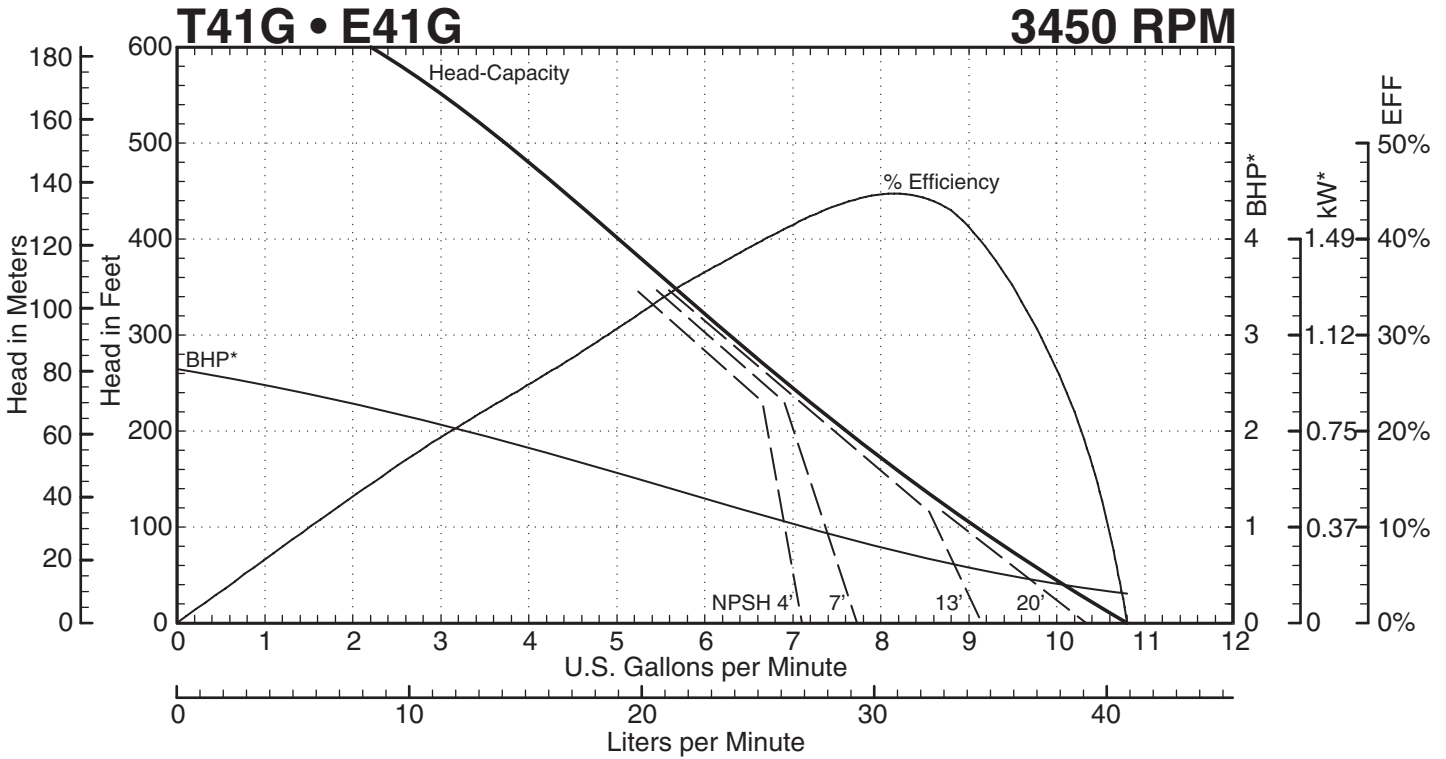
401 West Main Street • Plano, IL 60545-1436
 Phone: 630-552-4115 • Fax: 630-552-3688
 Email: SALES@MTHPUMPS.COM
<http://WWW.MTHPUMPS.COM>



E41 • T41 SERIES PUMPS

T41 • E41 SERIES

Performance Curves



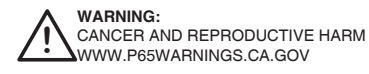
E41 • T41 SERIES PUMPS



MTH PUMPS

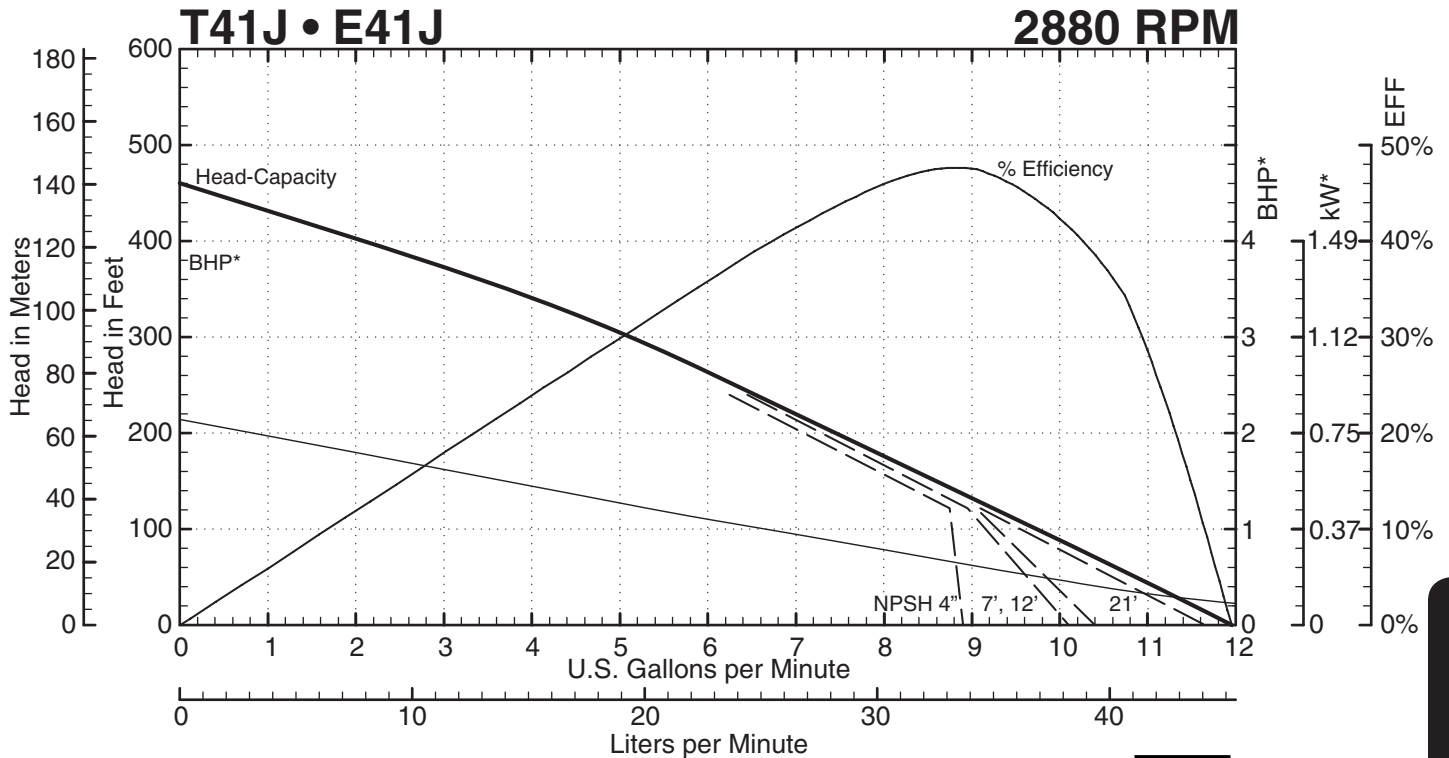
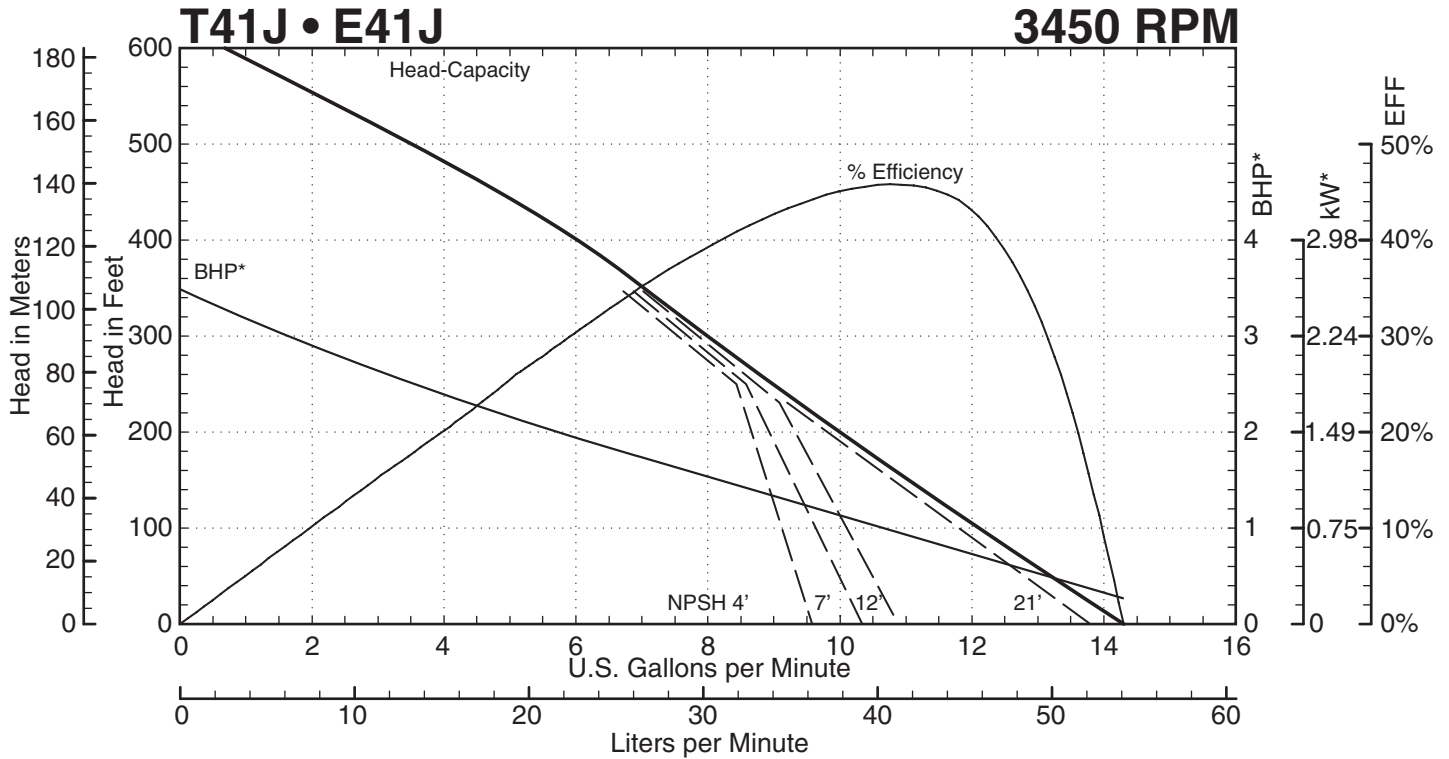
401 West Main Street • Plano, IL 60545-1436
 Phone: 630-552-4115 • Fax: 630-552-3688
 Email: SALES@MTHPUMPS.COM
<http://WWW.MTHPUMPS.COM>

— — — — — Indicates altered performance at NPSH Available
 * Horsepower data is valid for 1.0 specific gravity fluids only



T41 • E41 SERIES

Performance Curves



— — — Indicates altered performance at NPSH Available
 * Horsepower data is valid for 1.0 specific gravity fluids only



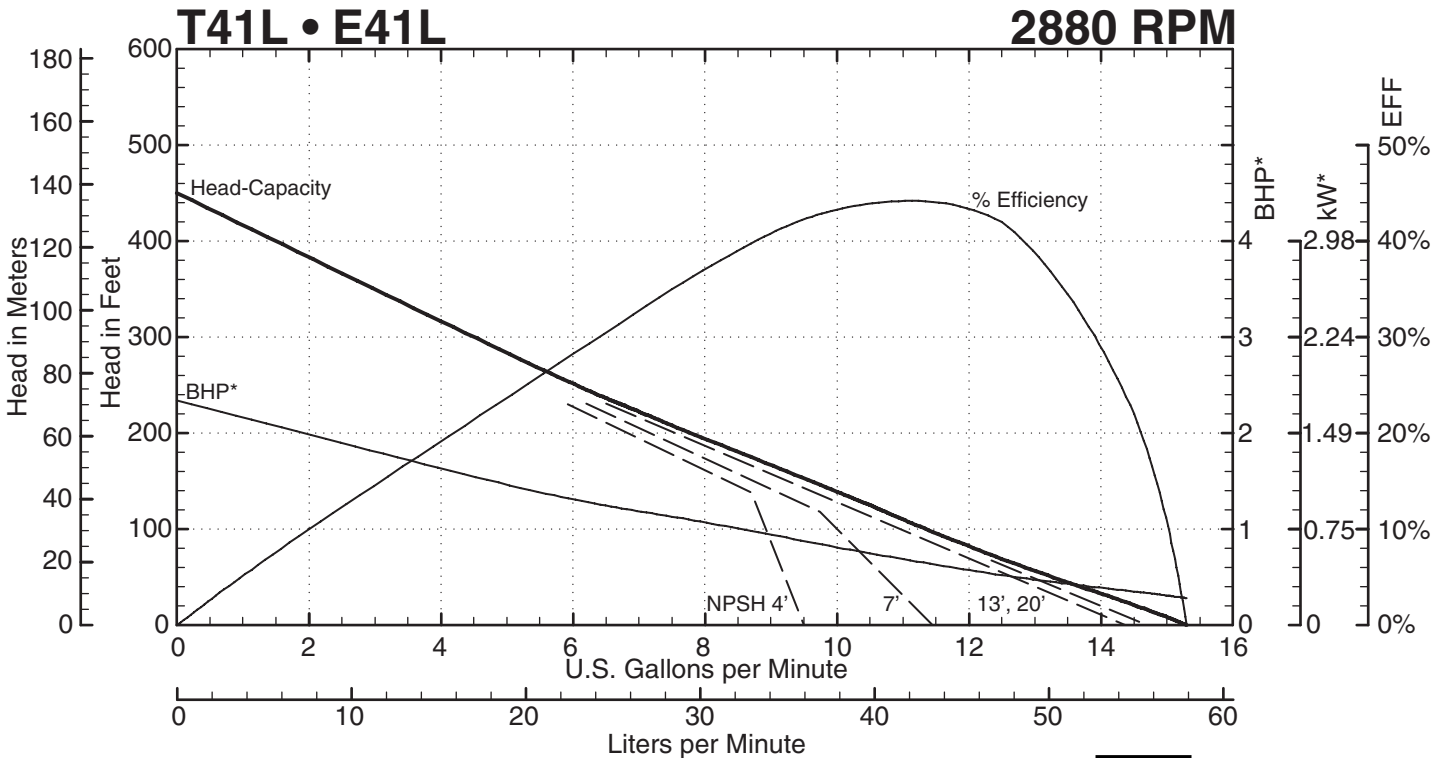
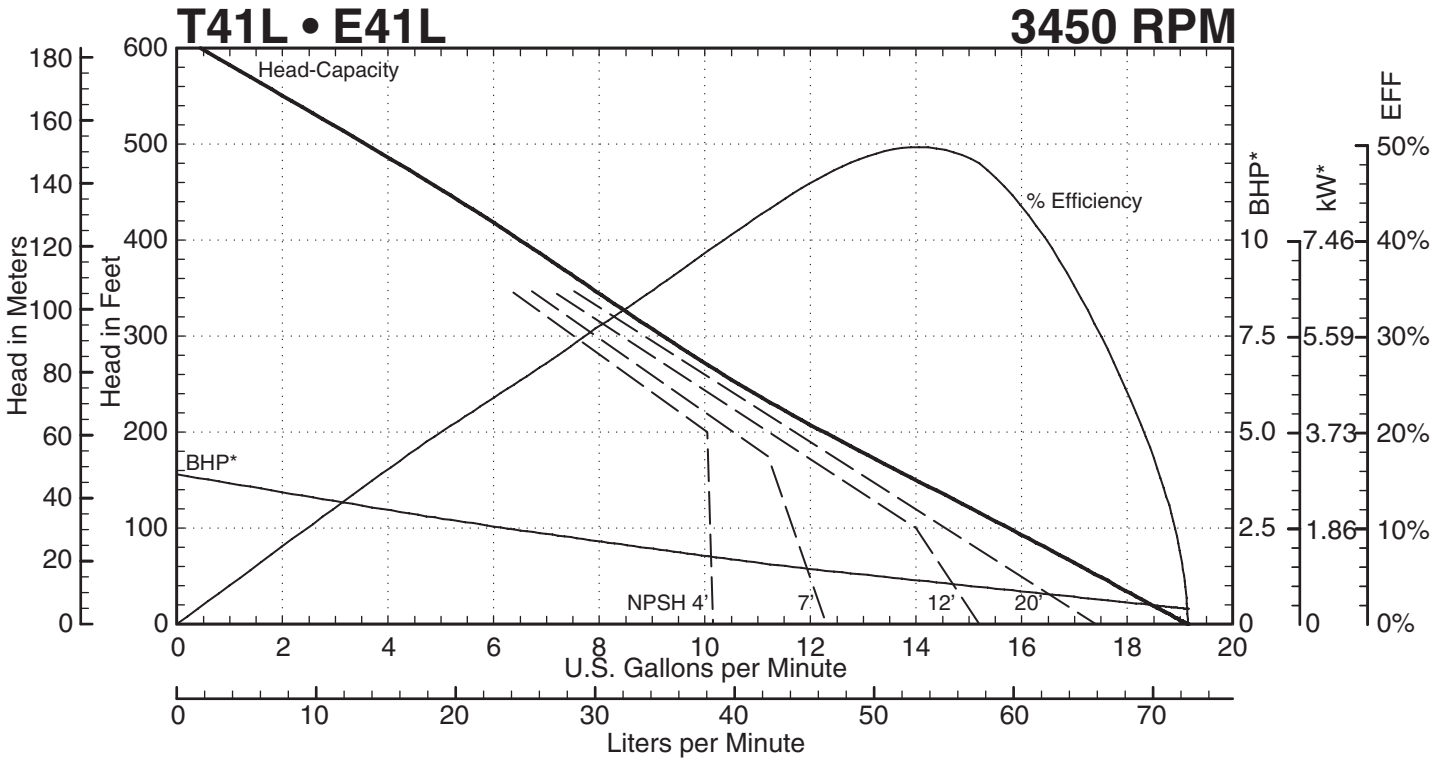
401 West Main Street • Plano, IL 60545-1436
 Phone: 630-552-4115 • Fax: 630-552-3688
 Email: SALES@MTHPUMPS.COM
 http://WWW.MTHPUMPS.COM



E41 • T41 SERIES PUMPS

T41 • E41 SERIES

Performance Curves



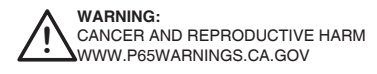
E41 • T41 SERIES PUMPS



MTH PUMPS

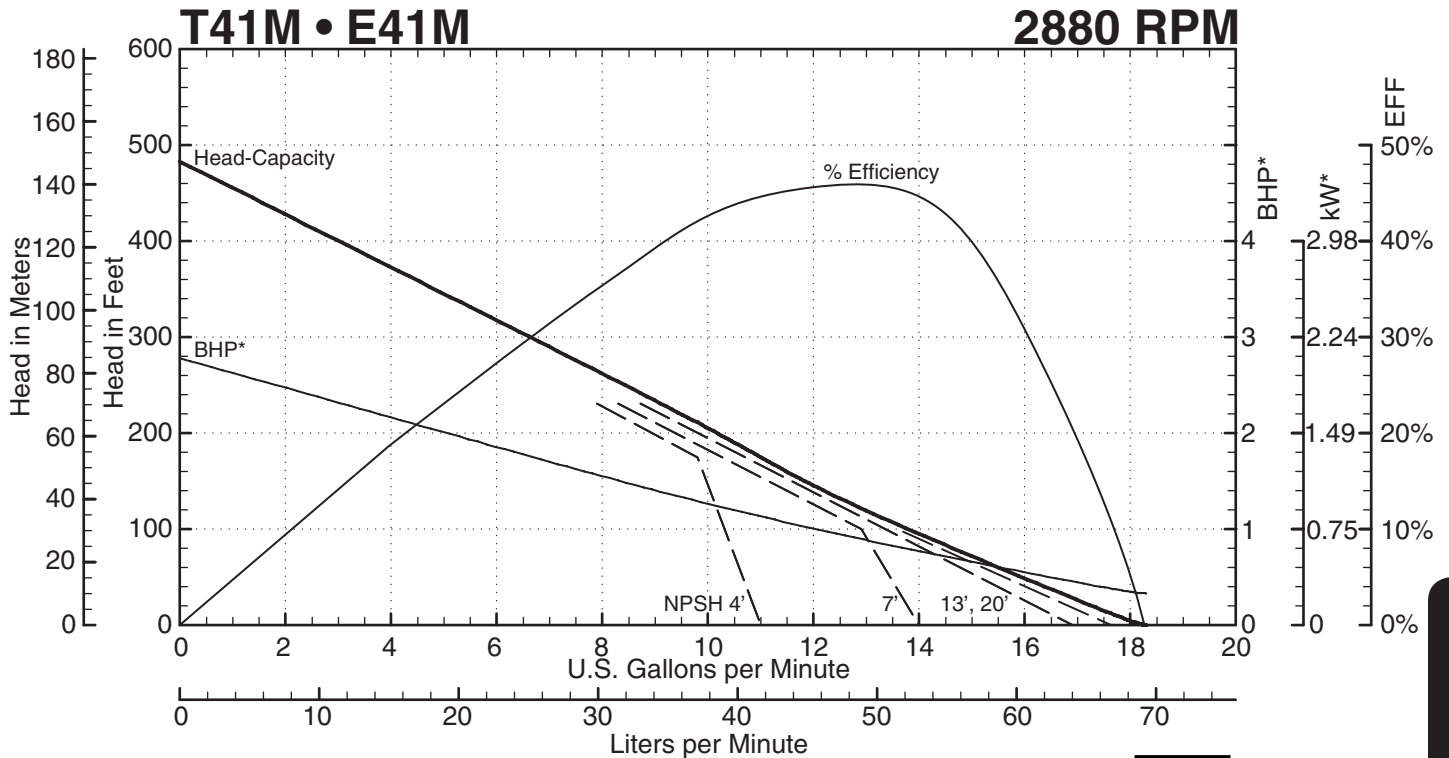
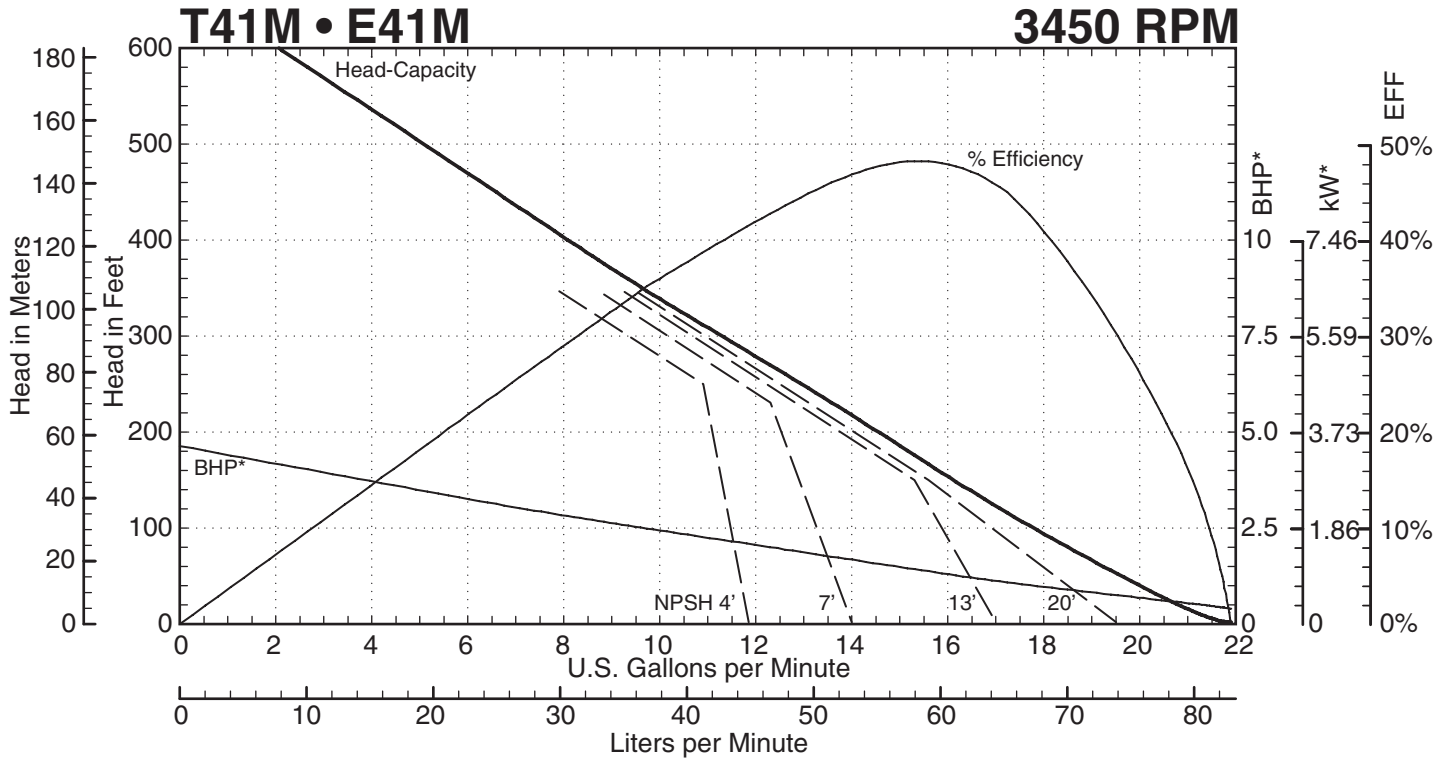
401 West Main Street • Plano, IL 60545-1436
 Phone: 630-552-4115 • Fax: 630-552-3688
 Email: SALES@MTHPUMPS.COM
 http://WWW.MTHPUMPS.COM

— — — Indicates altered performance at NPSH Available
 * Horsepower data is valid for 1.0 specific gravity fluids only



T41 • E41 SERIES

Performance Curves



— — — Indicates altered performance at NPSH Available
 * Horsepower data is valid for 1.0 specific gravity fluids only



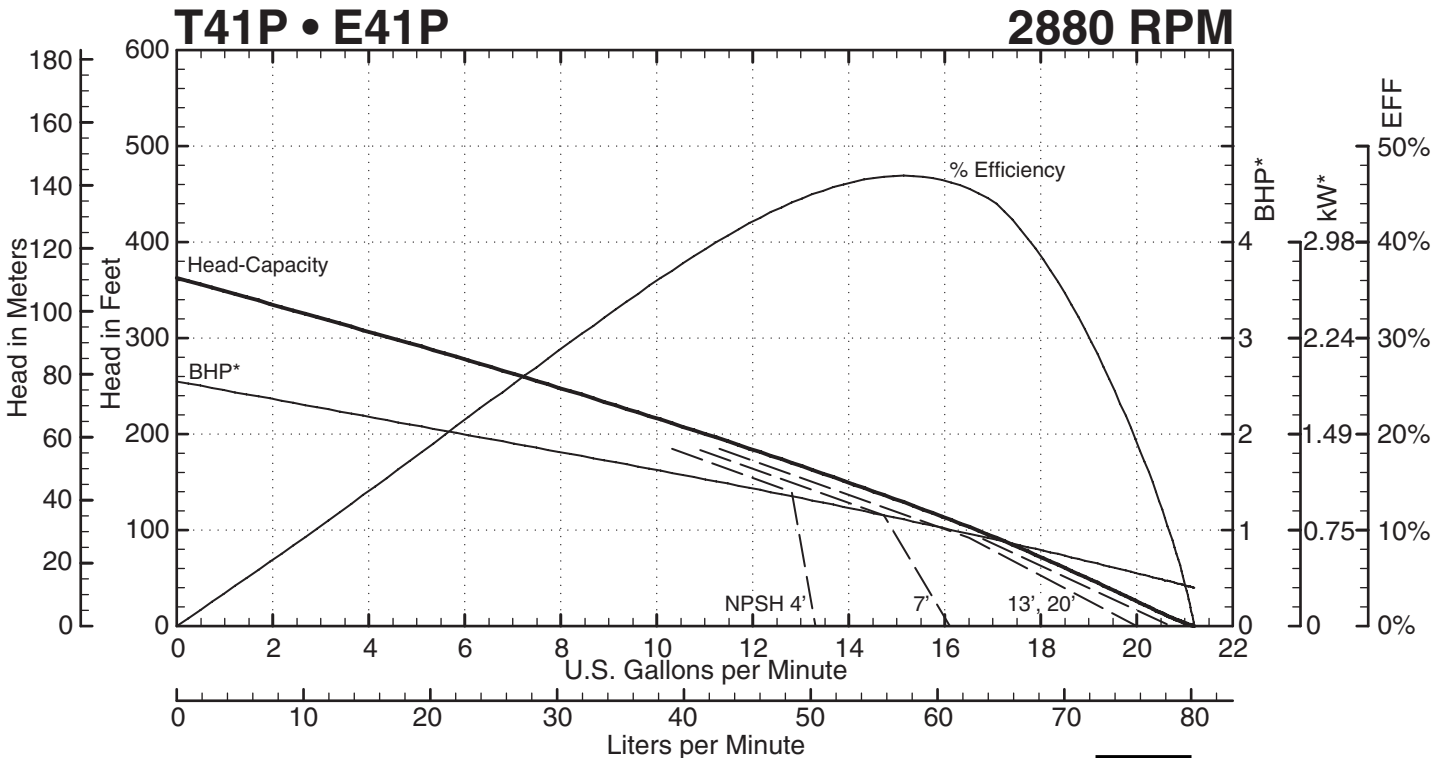
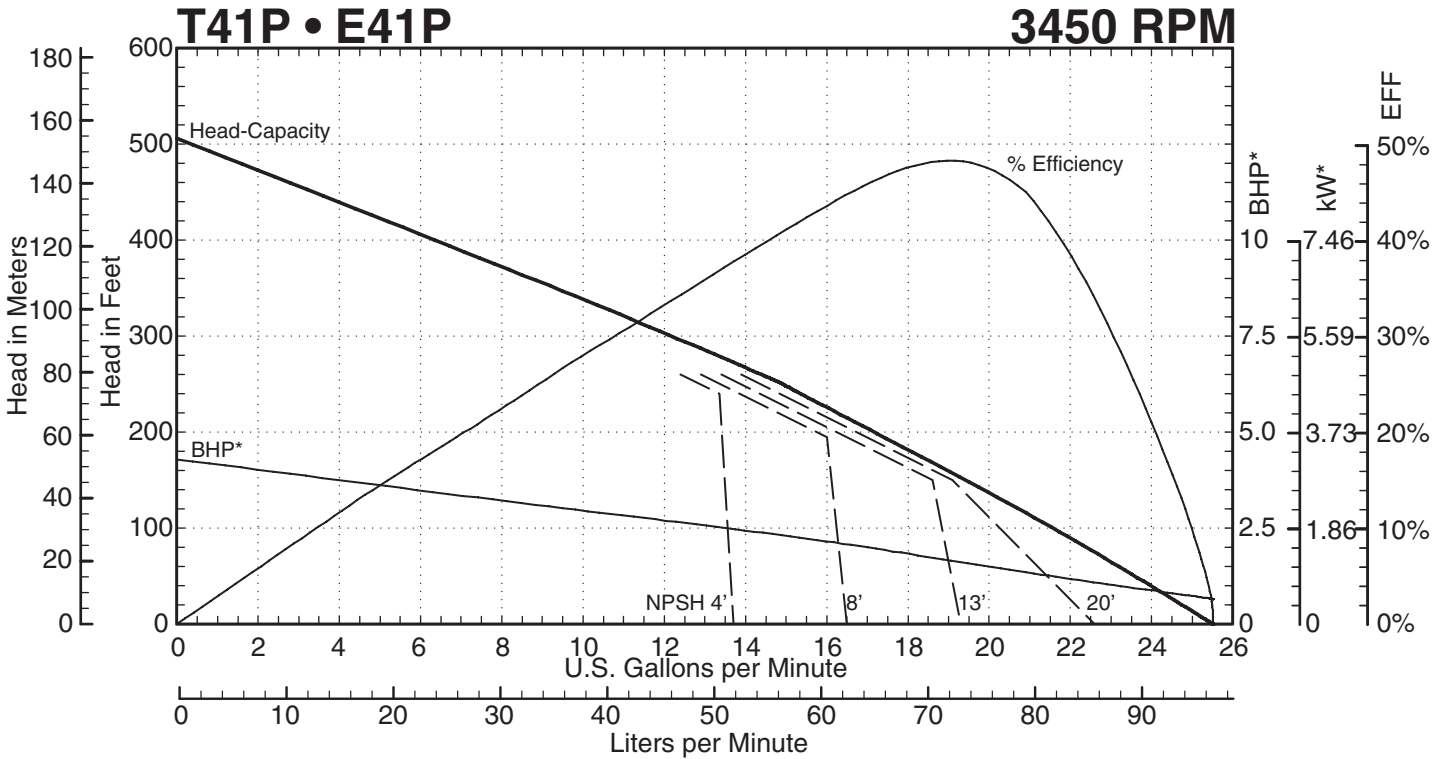
401 West Main Street • Plano, IL 60545-1436
 Phone: 630-552-4115 • Fax: 630-552-3688
 Email: SALES@MTHPUMPS.COM
<http://WWW.MTHPUMPS.COM>



E41 • T41 SERIES PUMPS

T41 • E41 SERIES

Performance Curves



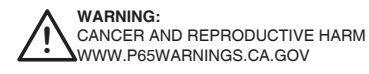
E41 • T41 SERIES PUMPS



MTH PUMPS

401 West Main Street • Plano, IL 60545-1436
 Phone: 630-552-4115 • Fax: 630-552-3688
 Email: SALES@MTHPUMPS.COM
<http://WWW.MTHPUMPS.COM>

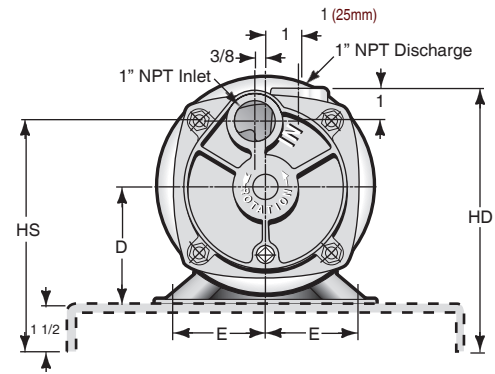
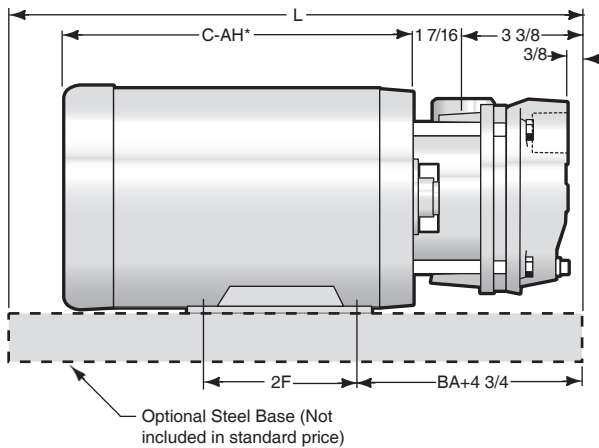
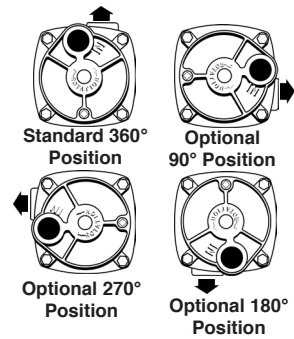
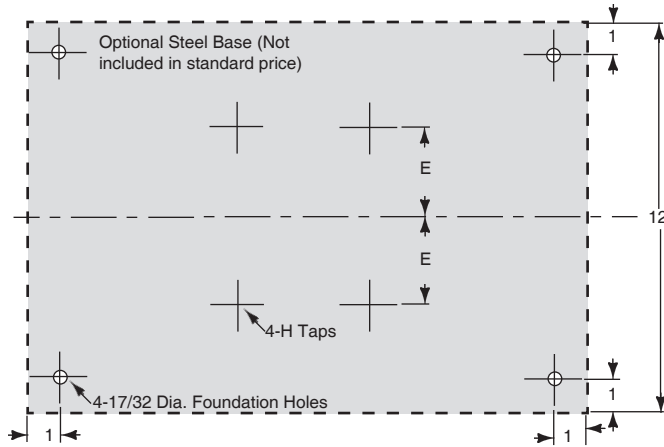
— — — Indicates altered performance at NPSH Available
 * Horsepower data is valid for 1.0 specific gravity fluids only



T41 • E41 SERIES

Dimensions

T41 Horizontal Close Coupled



56C Thru 215TC Motor Frames

FRAME	D	BA+4 3/4	2F	E	H	HS	HD	L
56 C	3 1/2 (89mm)	7 3/8 (187mm)	3 (76mm)	2 7/16 (62mm)	5/16 - 18	7 (178mm)	8 (203mm)	18 (457mm)
143 TC	3 1/2 (89mm)	7 5/8 (194mm)	4 (102mm)	2 3/4 (70mm)	5/16 - 18	7 (178mm)	8 (203mm)	18 (457mm)
145 TC	3 1/2 (89mm)	7 5/8 (194mm)	5 (127mm)	2 3/4 (70mm)	5/16 - 18	7 (178mm)	8 (203mm)	18 (457mm)
182 TC	4 1/2 (114mm)	8 3/8 (213mm)	4 1/2 (114mm)	3 3/4 (95mm)	3/8 - 16	8 (203mm)	9 (229mm)	20 (508mm)
184 TC	4 1/2 (114mm)	8 3/8 (213mm)	5 1/2 (140mm)	3 3/4 (95mm)	3/8 - 16	8 (203mm)	9 (229mm)	20 (508mm)
213 TC	5 1/4 (133mm)	9 1/8 (232mm)	5 1/2 (140mm)	4 1/4 (108mm)	3/8 - 16	8 3/4 (222mm)	9 3/4 (248mm)	22 (559mm)
215 TC	5 1/4 (133mm)	9 1/8 (232mm)	7 (178mm)	4 1/4 (108mm)	3/8 - 16	8 3/4 (222mm)	9 3/4 (248mm)	22 (559mm)

NOTES

All dimensions in inches. May vary ± 1/4 inches.
 Not for construction purposes unless certified.
 *See motor dimensions for "C-AH" dimension
 (Varies depending on motor enclosure).

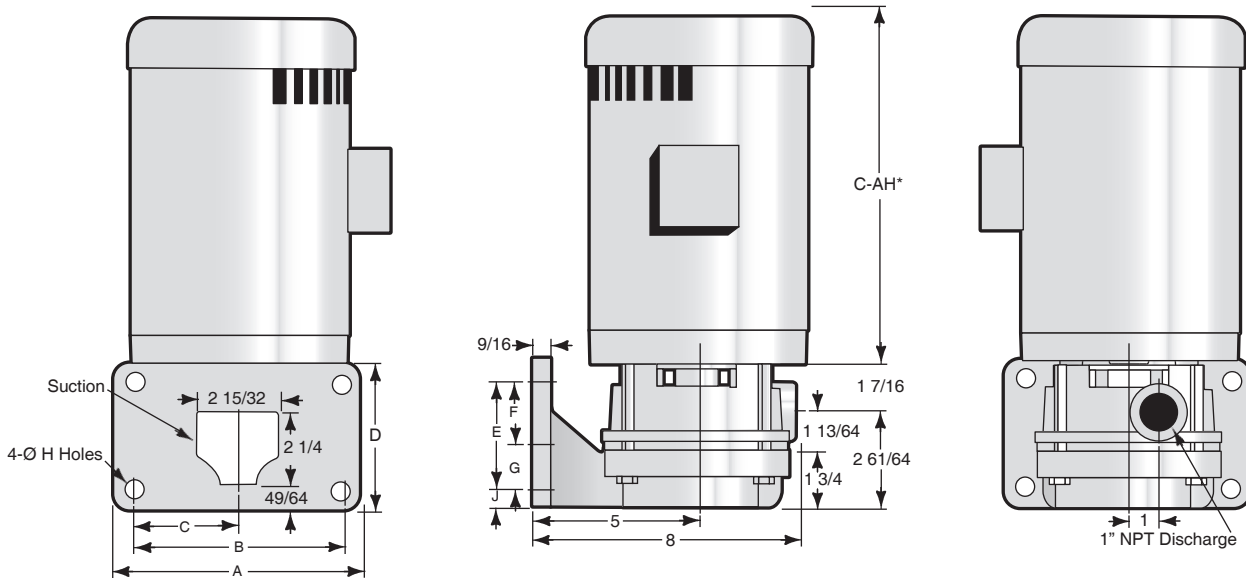


401 West Main Street • Plano, IL 60545-1436
 Phone: 630-552-4115 • Fax: 630-552-3688
 Email: SALES@MTHPUMPS.COM
 http://WWW.MTHPUMPS.COM



Dimensions

T41 Flange Mounted Close Coupled



56C Thru 215TC Motor Frames

FLANGE STYLE	A	B	C	D	E	F	G	H	J
AU (7 1/2 x 4 1/2)	7 1/2 (191mm)	6 1/4 (159mm)	3 1/8 (79mm)	4 1/2 (114mm)	3 1/4 (83mm)	2 1/8 (54mm)	1 1/8 (29mm)	9/16 (14mm)	5/8 (16mm)
DB (4 1/2 x 4 1/2)	4 1/2 (114mm)	3.270 (83mm)	1.635 (42mm)	4 1/2 (114mm)	3.270 (83mm)	2.135 (54mm)	1.135 (29mm)	1/2 (13mm)	.615 (16mm)
FE (7 3/4 x 4 3/4)	7 1/2 (191mm)	6 1/4 (159mm)	3 1/8 (79mm)	4 1/2 (114mm)	3 1/2 (89mm)	2 1/4 (57mm)	1 1/4 (32mm)	9/16 (14mm)	1/2 (13mm)
PA (6 1/2 x 3 3/4)	6 1/2 (165mm)	5 1/2 (140mm)	2 3/4 (70mm)	3 3/4 (95mm)	2 5/8 (67mm)	1 1/2 (38mm)	1 1/8 (29mm)	9/16 (14mm)	5/8 (16mm)
SH & BU (6 1/4 x 4)	6 1/4 (159mm)	5 (127mm)	2 1/2 (64mm)	4 (102mm)	2 3/4 (70mm)	1 5/8 (41mm)	1 1/8 (29mm)	9/16 (14mm)	5/8 (16mm)
SK (6 1/8 x 4 1/8)	6.13 (156mm)	4.94 (125mm)	2.47 (63mm)	4.13 (105mm)	2.69 (68mm)	1.66 (42mm)	1.03 (26mm)	9/16 (14mm)	.72 (18mm)
ST (5 x 5)	5 (127mm)	3 3/4 (95mm)	1 7/8 (48mm)	5 (127mm)	3 3/4 (95mm)	2 5/8 (67mm)	1 1/8 (29mm)	1/2 (13mm)	5/8 (16mm)
WI (5 x 5)	5 (127mm)	4 1/8 (105mm)	2 1/16 (53mm)	5 (127mm)	4 1/8 (105mm)	2 13/16 (71mm)	1 5/16 (33mm)	7/16 (11mm)	7/16 (11mm)

NOTES

All dimensions in inches. May vary ± 1/4 inches.
 Not for construction purposes unless certified.
 *See motor dimensions for "C-AH" dimension
 (Varies depending on motor enclosure).

E41 • T41 SERIES PUMPS



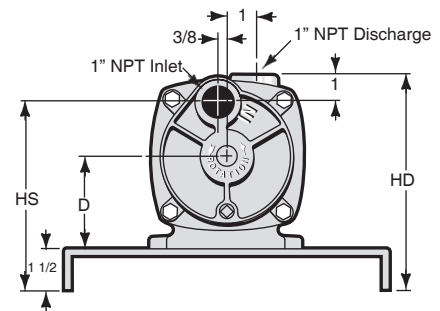
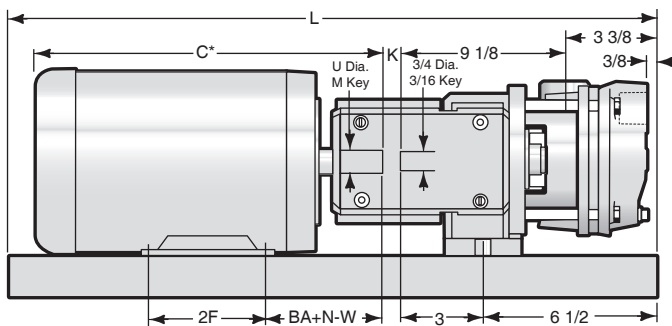
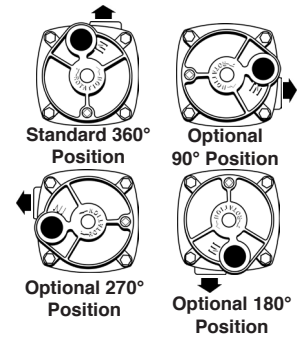
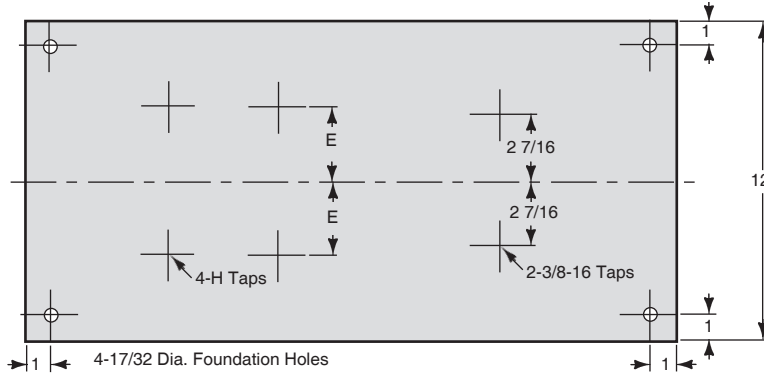
401 West Main Street • Plano, IL 60545-1436
 Phone: 630-552-4115 • Fax: 630-552-3688
 Email: SALES@MTHPUMPS.COM
 http://WWW.MTHPUMPS.COM



T41 • E41 SERIES

Dimensions

P3 Bearing Pedestal



56T Thru 184T Motor Frames

FRAME	D	U	BA+N-W	2F	E	H	K	HS	HD	L	M
56 T	3 1/2 (89mm)	5/8 (16mm)	4 5/8 (117mm)	3 (76mm)	2 7/16 (62mm)	5/16 - 18	5/8 (16mm)	7 (178mm)	8 (203mm)	24 (610mm)	3/16 (5mm)
143 T	3 1/2 (89mm)	7/8 (22mm)	4 1/2 (114mm)	4 (102mm)	2 3/4 (70mm)	5/16 - 18	5/8 (16mm)	7 (178mm)	8 (203mm)	24 (610mm)	3/16 (5mm)
145 T	3 1/2 (89mm)	7/8 (22mm)	4 1/2 (114mm)	5 (127mm)	2 3/4 (70mm)	5/16 - 18	5/8 (16mm)	7 (178mm)	8 (203mm)	24 (610mm)	3/16 (5mm)
182 T	4 1/2 (114mm)	1 1/8 (29mm)	5 1/2 (140mm)	4 1/2 (114mm)	3 3/4 (95mm)	3/8 - 16	3/4 (19mm)	8 (203mm)	9 (229mm)	26 (660mm)	1/4 (6mm)
184 T	4 1/2 (114mm)	1 1/8 (29mm)	5 1/2 (140mm)	5 1/2 (140mm)	3 3/4 (95mm)	3/8 - 16	3/4 (19mm)	8 (203mm)	9 (229mm)	26 (660mm)	1/4 (6mm)

NOTES

All dimensions in inches. May vary ± 1/4 inches.
 Not for construction purposes unless certified.
 *See motor dimensions for "C-AH" dimension
 (Varies depending on motor enclosure).

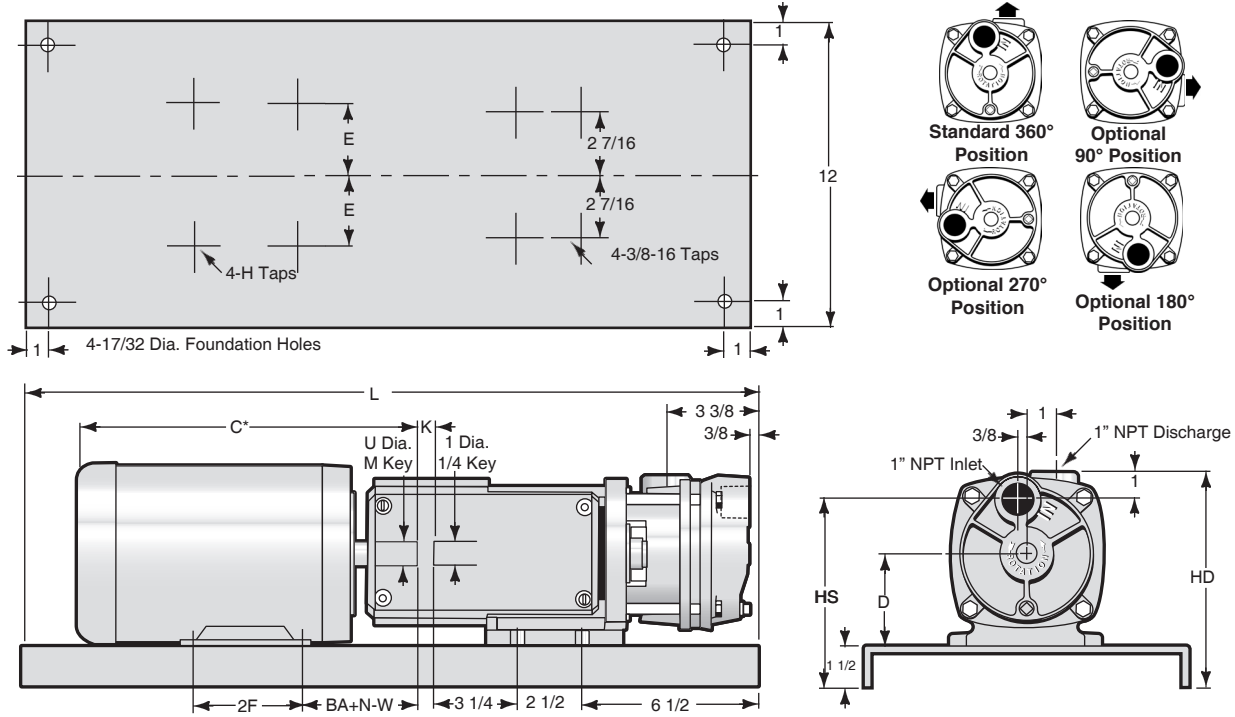


401 West Main Street • Plano, IL 60545-1436
 Phone: 630-552-4115 • Fax: 630-552-3688
 Email: SALES@MTHPUMPS.COM
 http://WWW.MTHPUMPS.COM



Dimensions

P15 Bearing Pedestal



143T Thru 215T Motor Frames

FRAME	D	U	BA+N-W	2F	E	H	K	HS	HD	L	M
143 T	3 1/2 (89mm)	7/8 (22mm)	4 1/2 (114mm)	4 (102mm)	2 3/4 (70mm)	5/16 - 18	5/8 (16mm)	7 (178mm)	8 (203mm)	28 (711mm)	3/16 (5mm)
145 T	3 1/2 (89mm)	7/8 (22mm)	4 1/2 (114mm)	5 (127mm)	2 3/4 (70mm)	5/16 - 18	5/8 (16mm)	7 (178mm)	8 (203mm)	28 (711mm)	3/16 (5mm)
182 T	4 1/2 (114mm)	1 1/8 (29mm)	5 1/2 (140mm)	4 1/2 (114mm)	3 3/4 (95mm)	3/8 - 16	3/4 (19mm)	8 (203mm)	9 (229mm)	30 (762mm)	1/4 (6mm)
184 T	4 1/2 (114mm)	1 1/8 (29mm)	5 1/2 (140mm)	5 1/2 (140mm)	3 3/4 (95mm)	3/8 - 16	3/4 (19mm)	8 (203mm)	9 (229mm)	30 (762mm)	1/4 (6mm)
213 T	5 1/4 (133mm)	1 3/8 (35mm)	6 7/8 (175mm)	5 1/2 (140mm)	4 1/4 (108mm)	3/8 - 16	7/8 (22mm)	8 3/4 (222mm)	9 3/4 (248mm)	33 (838mm)	5/16 (8mm)
215 T	5 1/4 (133mm)	1 3/8 (35mm)	6 7/8 (175mm)	7 (178mm)	4 1/4 (108mm)	3/8 - 16	7/8 (22mm)	8 3/4 (222mm)	9 3/4 (248mm)	33 (838mm)	5/16 (8mm)

NOTES

All dimensions in inches. May vary ± 1/4 inches.
 Not for construction purposes unless certified.
 *See motor dimensions for "C-AH" dimension
 (Varies depending on motor enclosure).



401 West Main Street • Plano, IL 60545-1436
 Phone: 630-552-4115 • Fax: 630-552-3688
 Email: SALES@MTHPUMPS.COM
 http://WWW.MTHPUMPS.COM

